

HSUN

Parts Catalog

HS250ATV



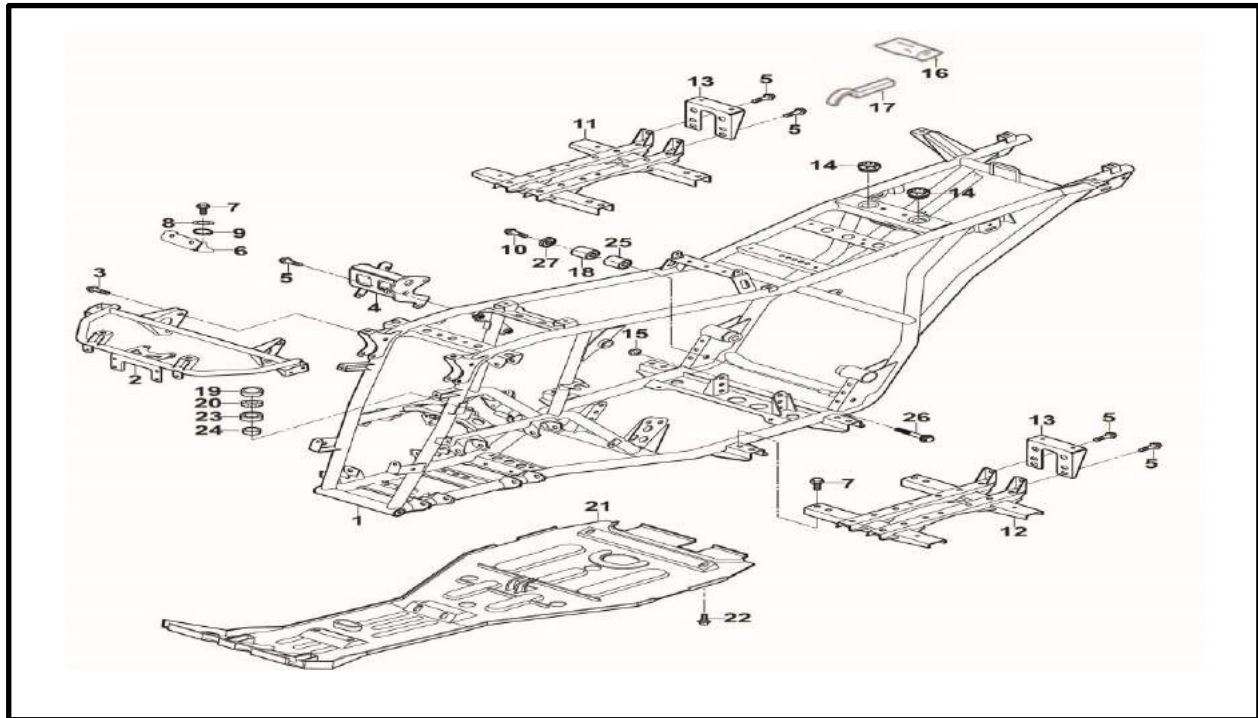
UNIVERSAL

HARDWARE®

Box 585, Center Road
Spanish Lookout
Tel 501 823 0254
sales@universalhardware.bz

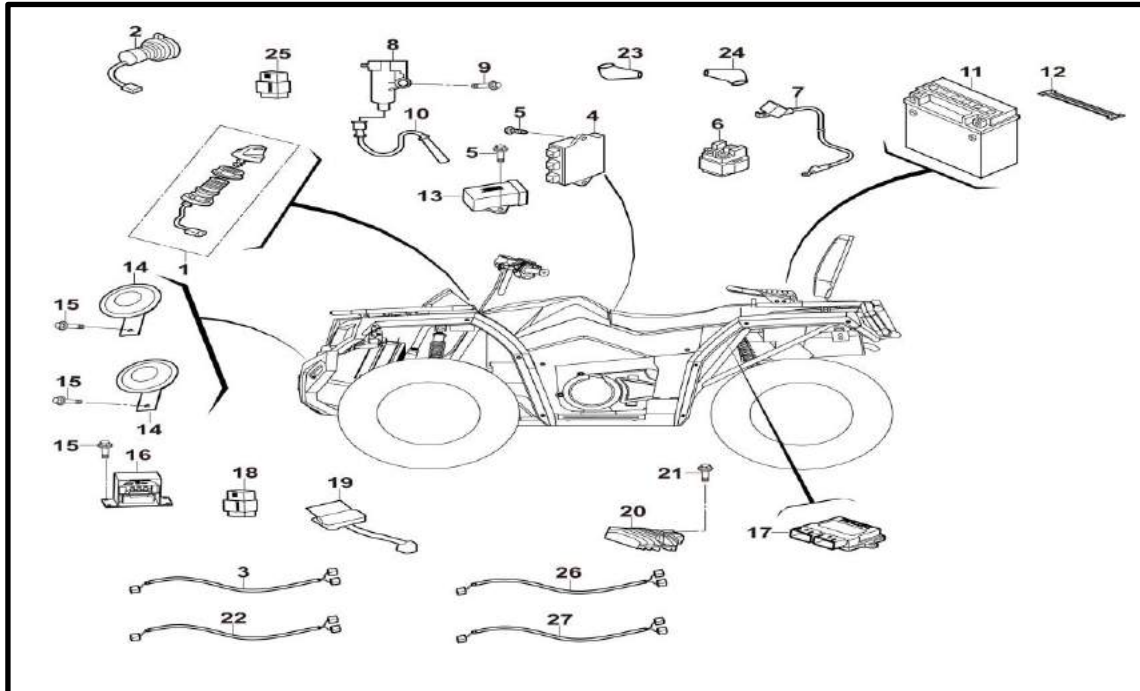
3380 Chetumal Street
Belize City
Tel 501 224 4140
salesbz@universalhardware.bz

Frame Parts



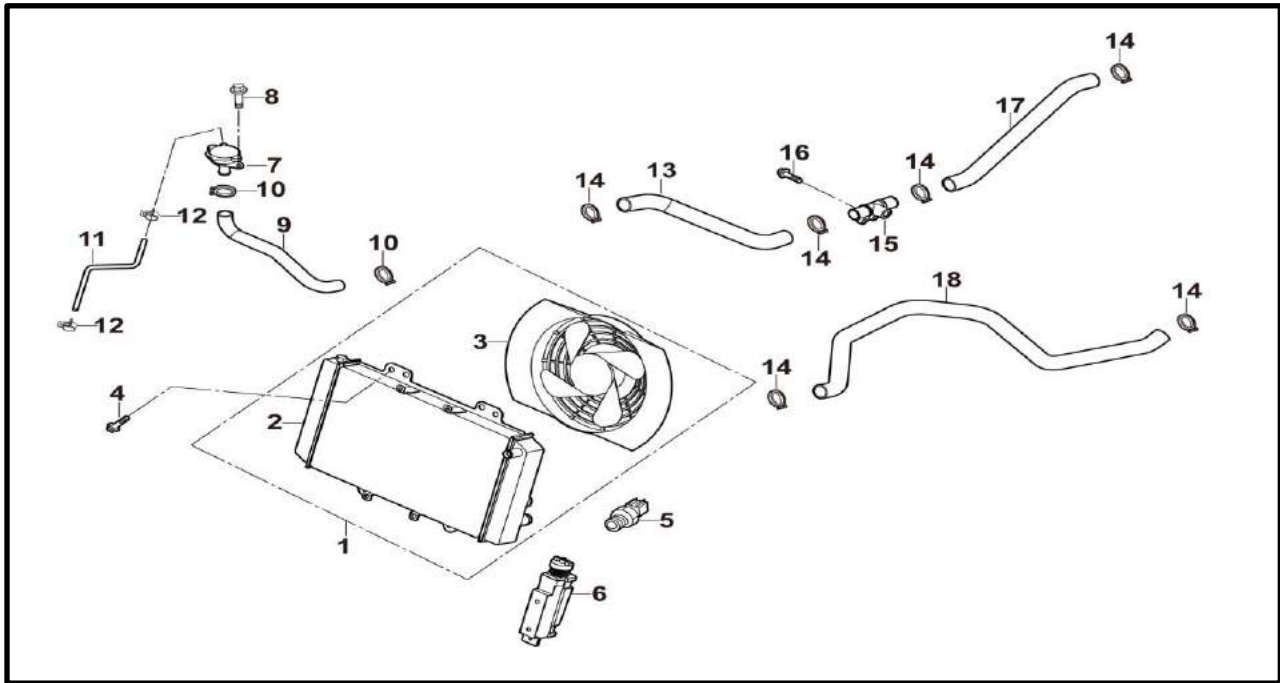
1	P202001511000000	Frame Joint Parts
2	P202101515340000	Front Carrier Support
3	BGB16674-M8×20	Hexagon Flange Bolt M8×20
4	P2021012345A0000	Shift Steering Arm Welded I
5	BGB16674-M8×20	Hexagon Flange Bolt M8×20
6	P212001516990000	Steering Stem Bracket
7	BGB16674-M10×1.25×20	Hexagon Flange Bolt M10×1.25×20
8	BGB97.1-10	Plain Washer 10
9	BGB93-10	Spring Washer 10
10	BGB16674-M8×16	Hexagon Flange Bolt M8×16
11	P202101515430000	Right Foot Pedal Bracket I
12	P202101515420000	Left Foot Pedal Bracket I
13	P202101515550000	Pedal Support Plate
14	PJ00000933400100	Florist Type Rubber Ring B
15	BGB6187-M10×1.25	Hexagon Flange Locked Nut M10×1.25
16	P107000891100000	Tool
17	P116000891020000	Wrench For Absorber
18	P102000224140000	Chain Sheath II
19	P107000911270000	Oil Seal φ24×φ44×7
20	PJ00000902350000	Internal Six Angle External Screw Thread Plug M42×1
21	P103000825050000	Front Bottom Protective Plate
22	PJ00000902100100	Hexagon Step Bolt M6×Φ10×4×16
23	BGB276-6203-2RS	Deep Groove Ball Bearing 6203-2RS
24	P107000911280000	Oil Seal φ24×φ36×8
25	P102000224130000	Chain Sheath I
26	BGB16674-M10×1.25×155	Hexagon Flange Bolt M10×1.25×155
27	PJ00000906050600	Plain Washer φ8.5×φ28×1.5

Electronic Parts



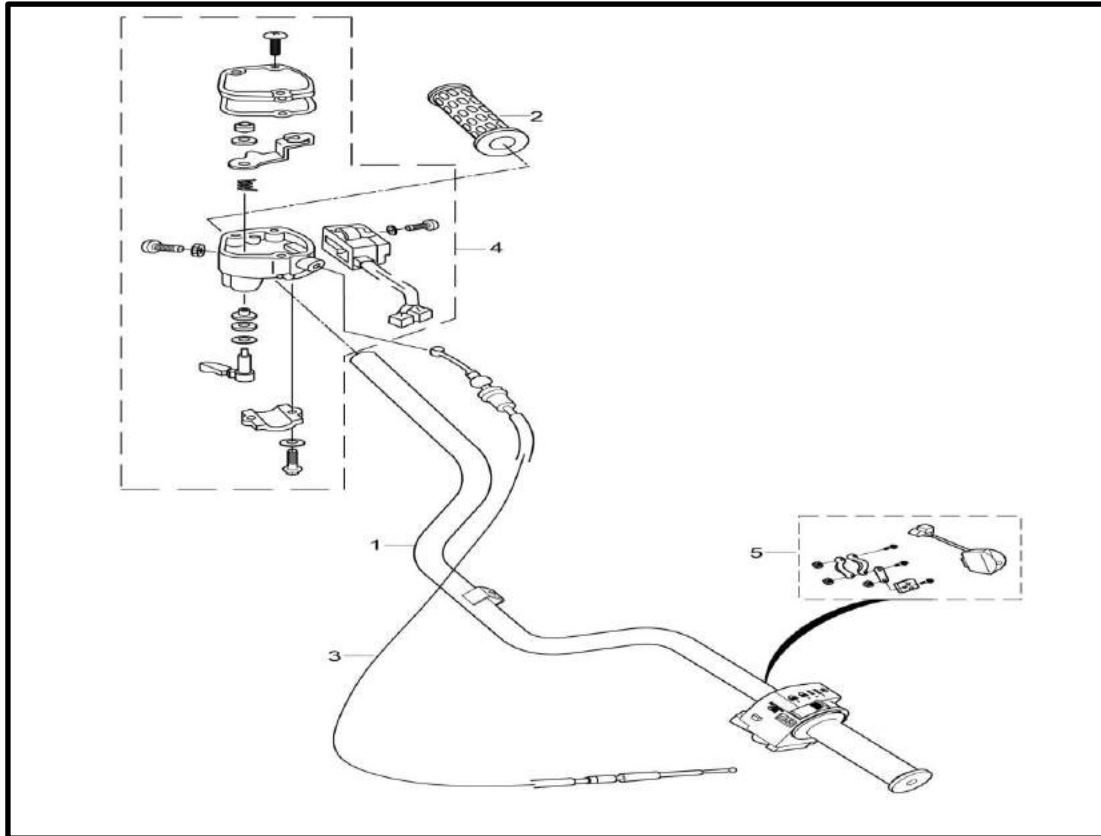
1	P103000372001000	Ignition Switch Assy
2	P115000371750000	DC Socket
3	P202001341000000	Main Cable
	P202001341000001	Main Cable
4	P116000377300000	Relay Assy (EFI)
5	BGB16674-M6×20	Hexagon Flange Bolt M6×20
6	P301001377050000	Starter Relay
7	P103000343200000	Negative Cable, Battery
8	P116000331000000	Ignition Coil
9	BGB16674-M6×40	Hexagon Flange Bolt M6×40
10	P113E00331010000	Connecting Cable, Ignition Coil
11	P102000322000000	Battery
12	PJ000009323000000	Battery Drawstring 175
13	P311001377350000	Main Relay Assy
14	P1150003461A0000	Horn
15	BGB16674-M6×16	Hexagon Flange Bolt M6×16
16	P115000377400000	Winch Relay
17	PJ000003920000000	ECU Controller Assy
18	P309001379450000	Speed Limiter
19	P212001346200001	Flasher
20	P116000321000000	Rectifier/Voltage Regulator
21	BGB16674-M6×30	Hexagon Flange Bolt M6×30
22	P103J00342000000	Efi Cable
23	P115000899130000	Protecting Cap, Magneto Anode
24	P115000899140000	Protecting Cap, Magneto Cathode
25	P311001346300000	Buzzer
26	P312001344200000	Hydraulic Strut Motor Connect Line
27	P118000344000000	Battery Cable, Winch

Water Cooler



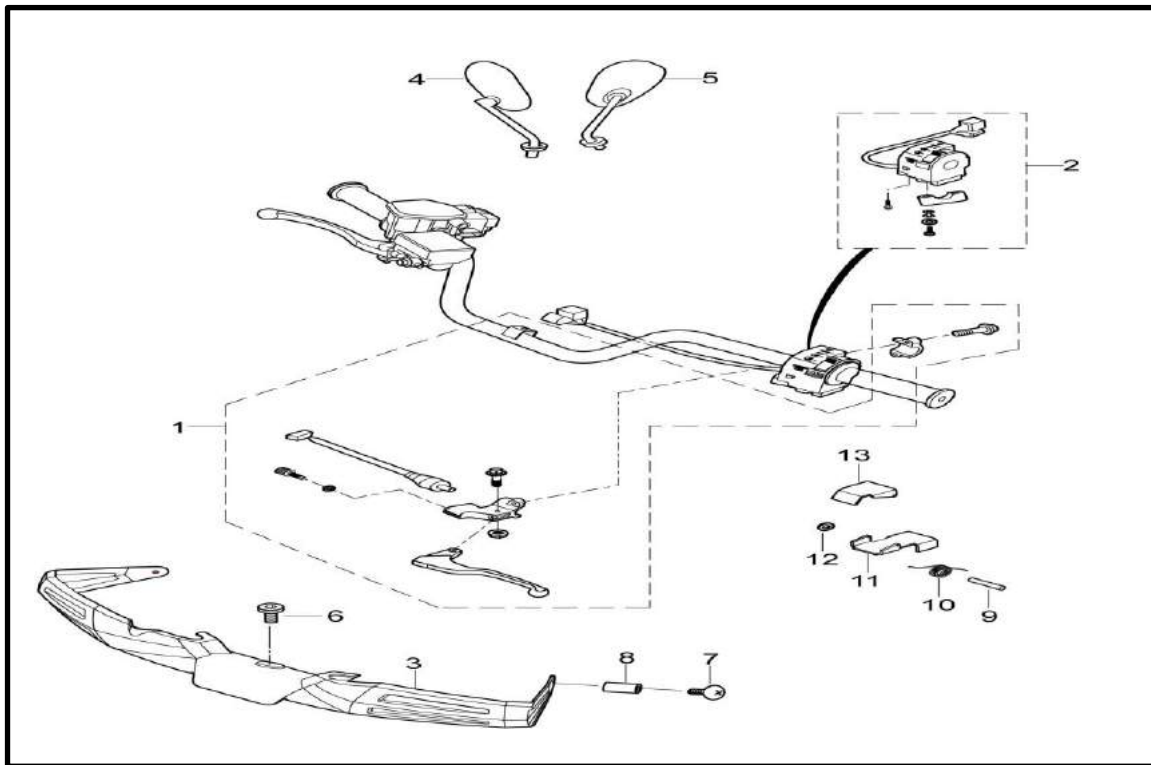
1	P202001192000000	Water Tank
2	P2021011926A0000	Water Tank
3	P2021011924A0000	Cooling Fan
4	BGB16674-M6x16	Hexagon Flange Bolt M6x16
5	P115000391300000	Water Temp Sensor
6	P103000193000000	Secondary Water Tank
7	P301001192700000	Water Inlet Assy
8	BGB16674-M6x16	Hexagon Flange Bolt M6x16
9	P202101190030000	Water Inlet Pipe II
10	PJ00000907300200	Locking Hoop C
11	P202101193130000	Water Inlet Pipe, Second Water Tank
12	PJ00000907100200	Elastic Hoop C
13	P202101190050000	Water Outlet Pipe II
14	PJ00000907300300	Locking Hoop D
15	P202101190020000	Waterlogged T-Pipe
16	BGB16674-M6x20	Hexagon Flange Bolt M6x20
17	P202001190040000	Water Outlet Pipe I
18	P202001190010000	Water Inlet Pipe I

Steering Bar Part



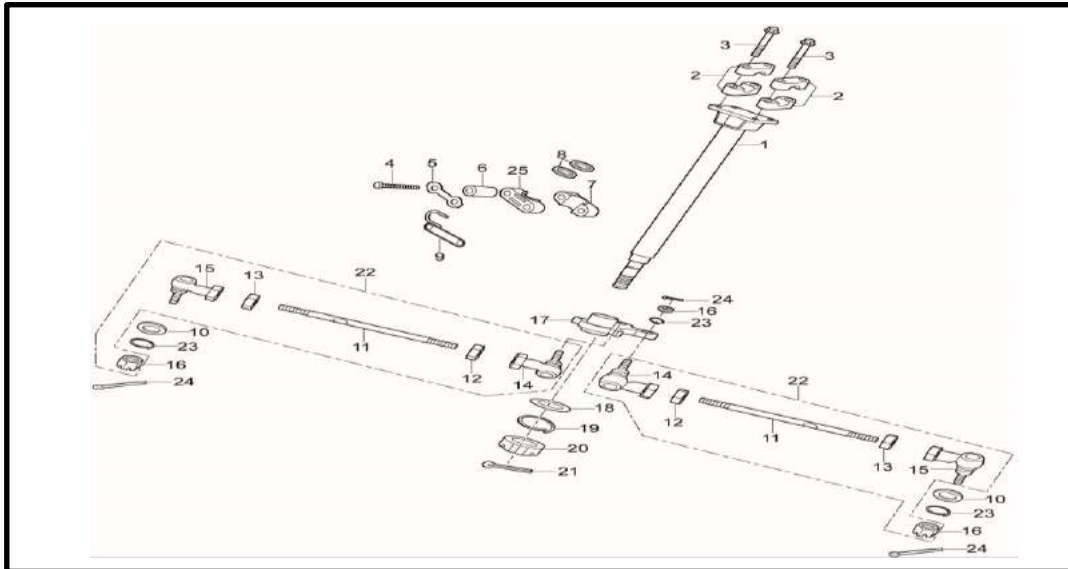
1	P118000611010000	Handlebar
2	P107000611040000	Handlebar Rubber Sleeve
3	PJ000006103A2600	Accelerator Cable AB
4	P102000610210000	Accelerator Assy
5	P107000899070000	Control Switch of Winch

Left Handle Bar



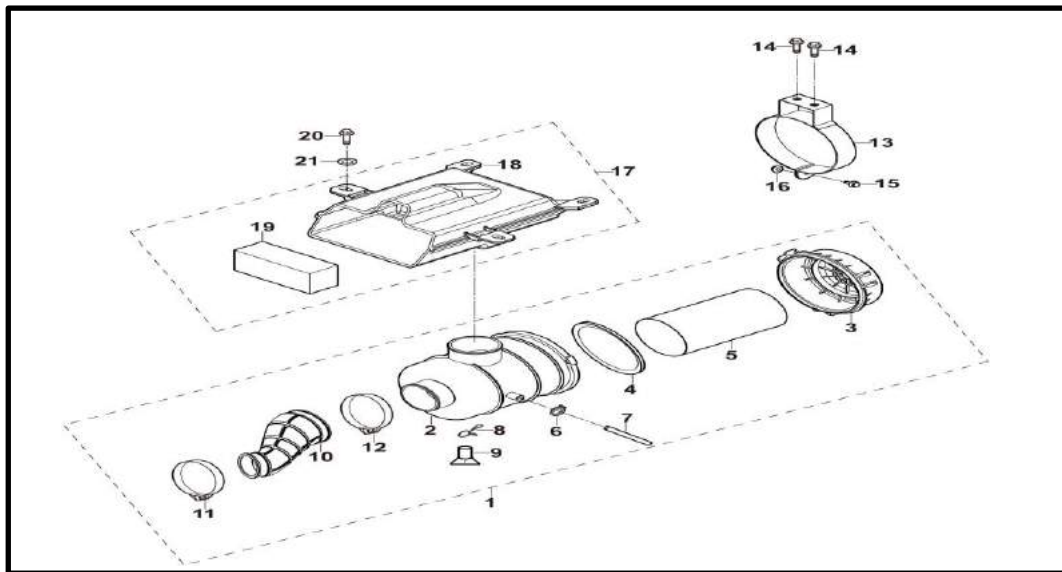
1	P201001610010000	Left Lever Assy
2	P201001374001000	Left Switch Assy
3	P118000825230000	Protective Cover ,Handlebar Pipe
4	P107000892200000	Rearview Mirror (R)
5	P107000892100000	Rearview Mirror (L)
6	PJ00000902250100	Socket Hexagon Screw M6×16
7	PJ00000905200800	Cross Big Plate Head Screw M6×30
8	PJ00000929006700	Cylindrical Bush φ8.5×φ20×14
9	P107000610070000	Pin, Parking Clip
10	PJ00000963002900	Torsion Spring Φ1×Φ6×69°
11	P107000610080000	Parking Clip Front Part
12	BGB896-2	Split Washer 2
13	P107000610090000	Parking Clip

Steering Stem Part



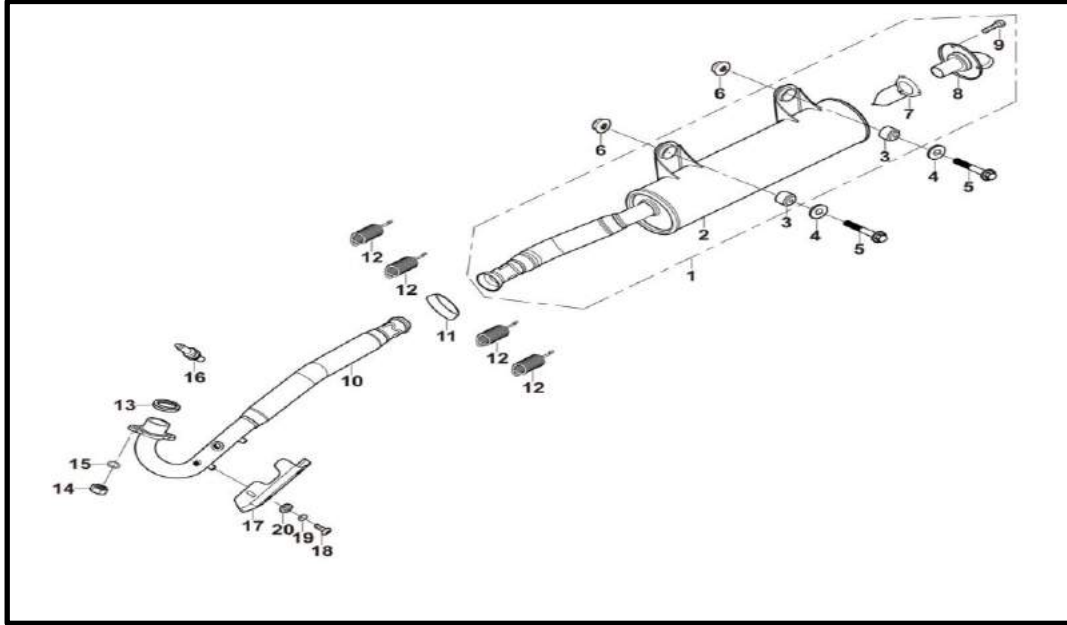
1	P208001621100000	Steering Stem
2	P103000610030000	Fix Bracket,Steering Stem
3	BGB16674-M8×55	Hexagon Flange Bolt M8×55
4	BGB5783-M8×60	Hexagon Bolt M8×60
5	P107000610050000	Steering Stem Locking Clamp
6	PJ00000929002100	Cylindrical Bush $\Phi 9 \times \Phi 14 \times 43.5$
7	P107000621220000	Supporting Block,Steering Stem
8	PJ00000933900000	Seal Gasket,Steering Stem
9	P107000610040100	Wire Hook,Steering Column
10	BGB97.1-10	Plain Washer 10
11	P103000641110000	Shift Straight Rod Assy
12	P107000641120000	Hexagon Nut (L)
13	P107000641130000	Hexagon Nut (R)
14	P107000641140000	Left Ball Joint
15	P107000641150000	Right Ball Joint
16	BGB9459-M10×1.25-C	Hexagon Thin Slotted Nut M10×1.25
17	P103000621600000	Rocker, Steering Stem
18	BGB97.1-16	Plain Washer 16
19	BGB93-16	Spring Washer 16
20	BGB9459-M14×1.5	Hexagon Thin Slotted Nut M4×1.5
21	BGB91-2.5×30	Cotter Pin 2.5×30
22	P103000641100000	Shift Straight Rod Assy
23	BGB93-10	Spring Washer 10
24	BGB91-2.5×30	Cotter Pin 2×30
25	P107000621230000	Supporting Block II, Steering Stem

Air Filter Part



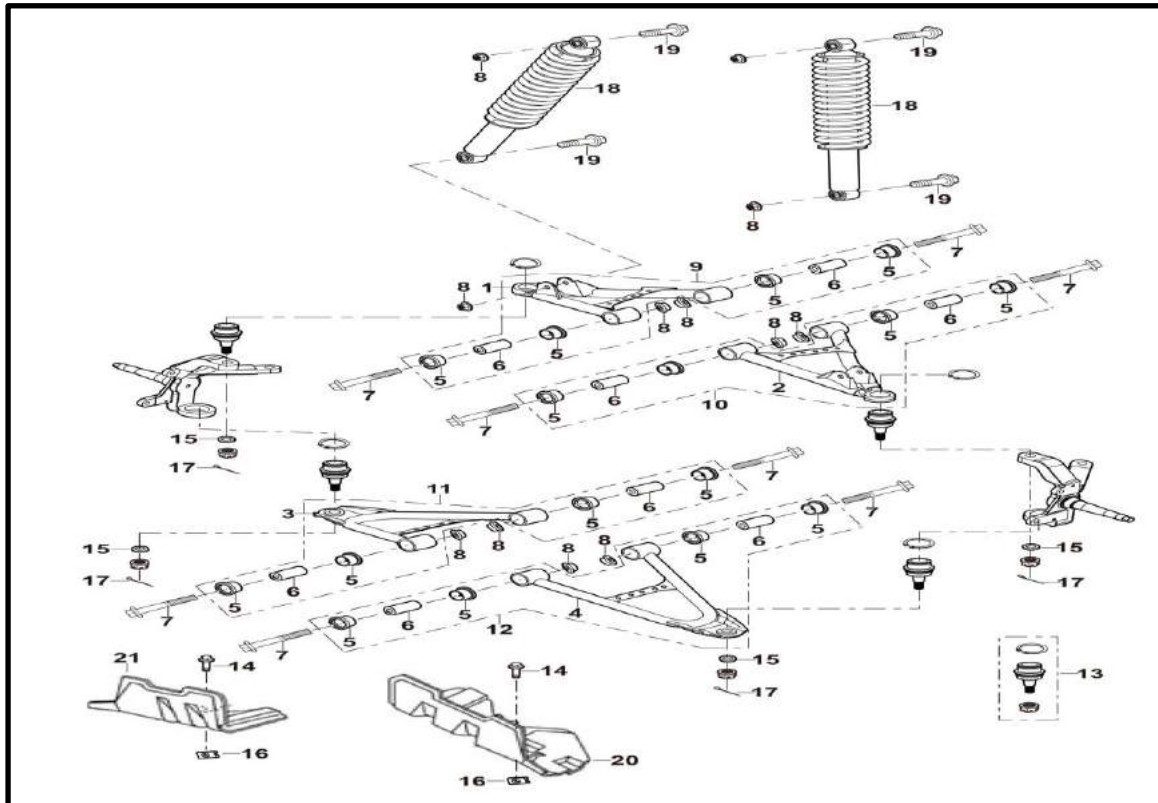
1	P202001172000000	Secondary Air Filter Assy
2	P112000172010000	Secondary Filter Shell
3	P112000172040000	Secondary Filter Cap
4	P112000172070000	Secondary Air Filter Gasket
5	P1120001722A0000	Secondary Air Filter Element
6	PJ00000907101200	Elastic Hoop M
7	P202101188010000	Egr Tube I
8	PJ00000964001400	Steel Hoop M
9	P301001171020000	Drainage Cap
10	P202001172080000	Secondary Outlet Pipe Connect Sleeve I
11	PJ00000907300500	Locking Hoop F, Screw
12	PJ00000907300800	Locking Hoop I, Screw
13	P301001515970000	Air Filter Hoop
14	BGB16674-M8×16	Hexagon Flange Bolt M8×16
15	BGB16674-M6×16	Hexagon Flange Bolt M6×16
16	BGB6187-M6	Hexagon Flange Locked Nut M6
17	P202001171000000	Primary Air Filter
18	P202001171010000	Primary Filter Shell
19	P2021011712A0000	Primary Air Filter Element
20	BGB16674-M6×16	Hexagon Flange Bolt M6×16
21	BGB97.1-6	Plain Washer 6

Muffler



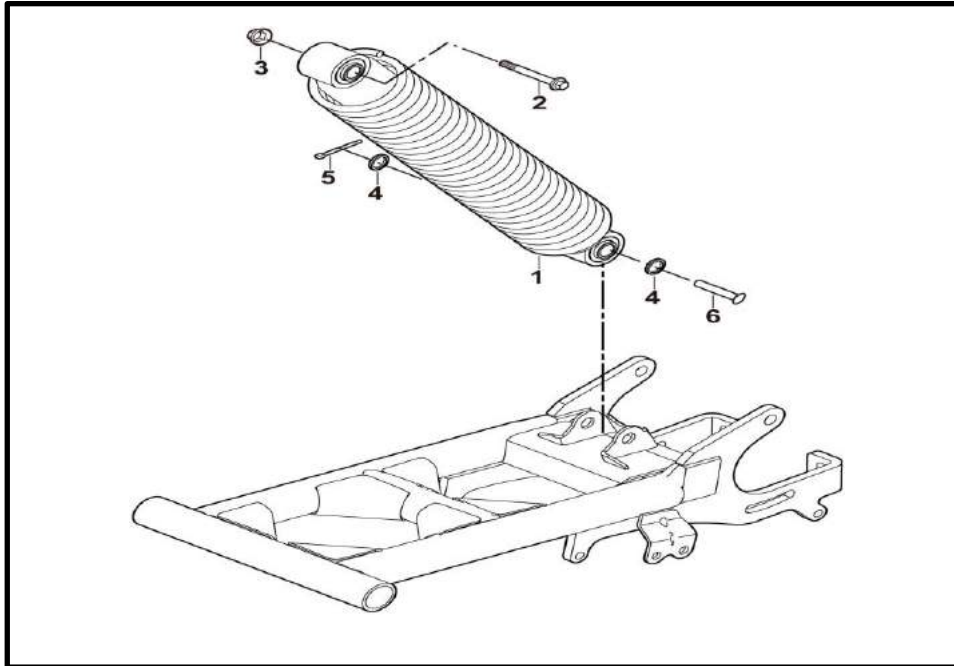
1	P202001181000000	Muffler Assy
2	P2020011810A0000	Muffler Tube
3	P115000180050000	Suspension Bushing
4	P107000180060000	Muffler Gasket
5	BGB16674-M8x40	Hexagon Flange Bolt M8x40
6	BGB6187-M8	Hexagon Flange Locked Nut M8
7	P1120001830A0000	Flame Screen
8	P1120001840A0000	Tail Pipe, Exhaust
9	BGB70.1-M6x20-B	Inner Hexagon Screws M6x20
10	P2020011821A0000	Exhaust Pipe I
11	PJ00000180500000	Sealing Gasket Hemispherical $\Phi 32$
12	PJ00000961000000	Tension Spring A
13	PJ00000180200600	Exhaust Pipe Gasket $\Phi 38 \times \Phi 48 \times 5$
14	BGB6170-M8	Hexagon Nut M8
15	BGB93-8	Spring Washer 8
16	P116000391600000	Oxygen Sensor
17	P202001182010000	Exhaust Pipe Shield I
18	BGB818-M6x12	Cross Large Plate Head Screw M6x12
19	BGB93-6-B	Spring Washer 6
20	BGB97.1-6-B	Plain Washer 6
21	BGB97.1-6	Plain Washer 6

Front Suspension Part



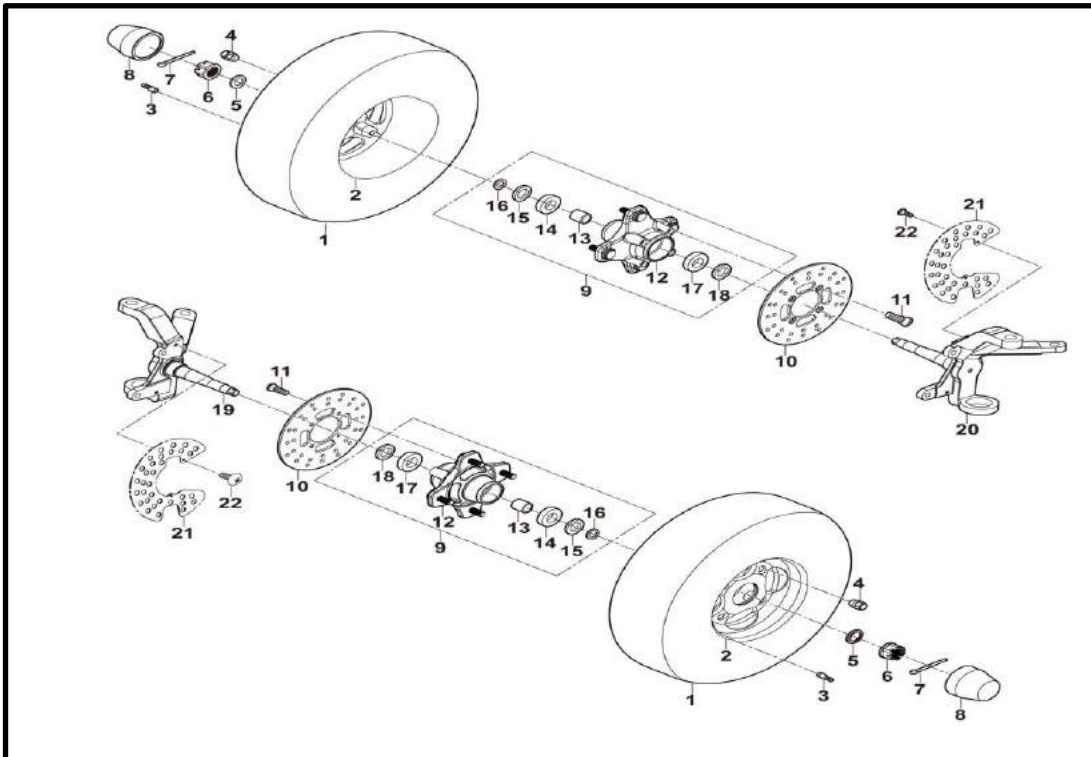
1	P2021015240A0000	Front Right Upper Swing Arm
2	P2021015230A0000	Front Left Upper Swing Arm
3	P2021015245A0000	Front Right Lower Swing Arm
4	P2021015235A0000	Front Left Lower Swing Arm
5	PJ00000925000200	Flanging Bushing $\phi 23 \times \phi 28$
6	PJ00000929009400	Cylindrical Bush $\Phi 10.3 \times \Phi 23 \times 49.4$
7	BGB16674-M10 \times 1.25 \times 70	Hexagon Flange Bolt M10 \times 1.25 \times 70
8	BGB6187-M10 \times 1.25	Hexagon Flange Locked Nut M10 \times 1.25
9	P202101524000000	Front Right Upper Swing Arm Assy
10	P202101523000000	Front Left Upper Swing Arm Assy
11	P202101524500000	Front Right Lower Swing Arm Assy
12	P202101523500000	Front Left Lower Swing Arm Assy
13	PJ000005250A0400	Ball Pin E, Steering Knuckle Arm
14	BGB16674-M6 \times 12	Hexagon Flange Bolt M6 \times 12
15	BGB93-12	Spring Washer 12
16	PJ00000903600000	Nut Clamp M6 \times 6
17	BGB91-2.5 \times 30	Cotter Pin 2.5 \times 30
18	PJ00000521003700	Front Shock Absorber
19	BGB16674-M10 \times 1.25 \times 50	Hexagon Flange Bolt M10 \times 1.25 \times 50
20	P107000825080000	Front Swing Arm Shield (L)
21	P107000825090000	Front Swing Arm Shield (R)

Rear Suspension



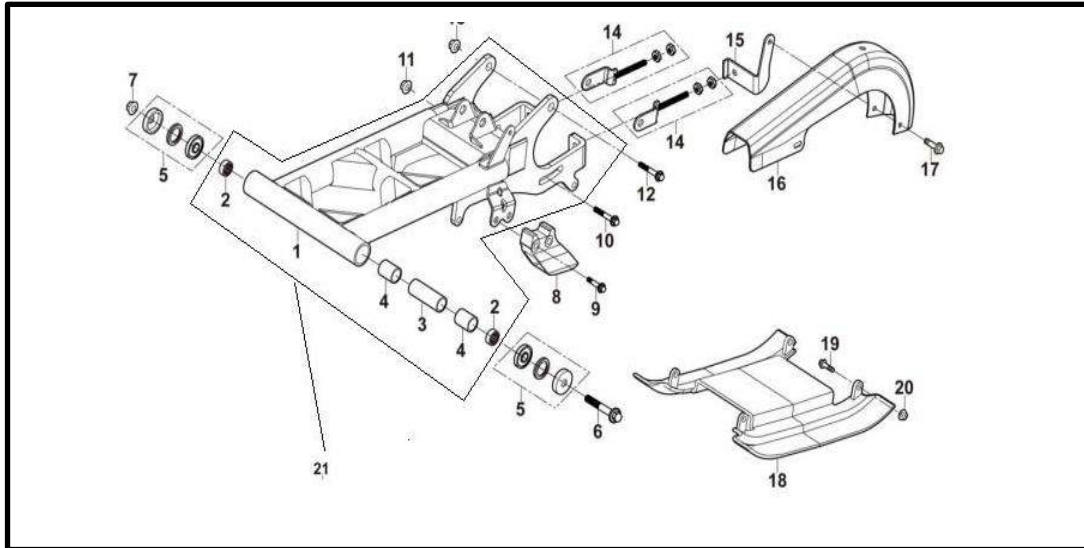
1	PJ00000551003600	Rear Shock Absorber
2	BGB16674-M12×1.25×70	Hexagon Flange Bolt M12×1.25×70
3	BGB6187-M12×1.25	Hexagon Flange Locked Nut M12×1.25
4	PJ00000931100800	Flat Rubber Gasket Φ15×6
5	BGB91-2.5×30	Cotter Pin 2.5×30
6	PJ00000929702300	Step Cotter Pin Φ12×73.5

Front Transmission



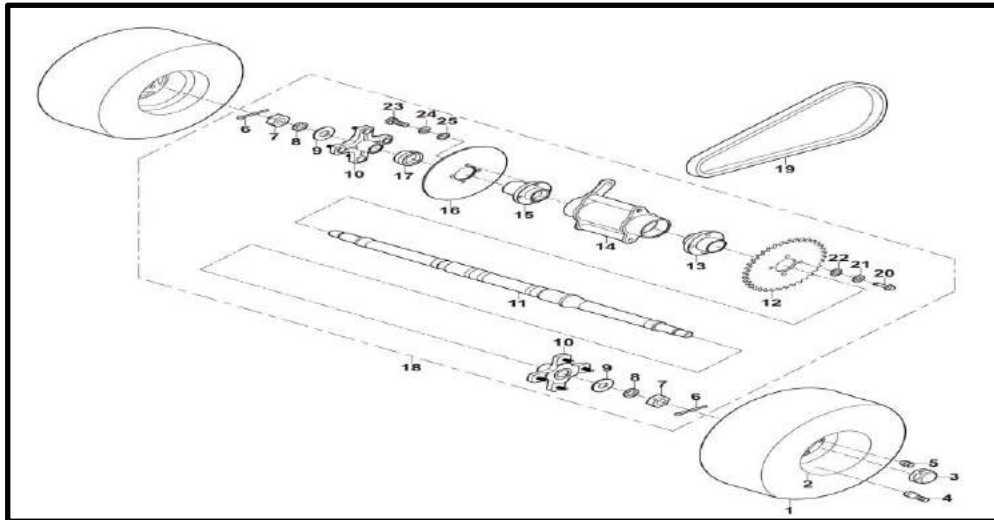
1	PJ00000411210800	Front Tire
2	PJ0000041122000020	Front Rim(F102, Steel, Black)
	PJ00000411220200	Front Rim(F105, Alu, Original)
	PJ0000041122020020	Front Rim(F105, Alu, Black)
3	P1150004113A0000	Valve Core
4	PJ00000903450000	Nut M10×1.25
5	PJ00000906051500	Flat Washer Φ16×Φ30×2
6	BGB9459-M16×1.5	Slotted Nut M24×1.5
7	BGB91-3.2×50	Cotter Pin 3.2×50
8	PJ00000410040600	Wheel Cap G
9	P202001461100000	Mounting Bracket For Front Hub
10	P202001444530000	Front Brake Plate
11	PJ00000902200000	Bolt M8
12	P202001461110000	Front Hun Connect Seat
13	P102000557030000	Bearing Sleeve
14	BGB276-6202-2RS	Deep Groove Ball Bearing 6202-2RS
15	P102000521050000	Front Oil Seal
16	P102000521110000	Oil Seal Bush
17	BGB276-6004-2RZ	Bearing 6004-2RZ
18	P102000911260000	Oil Seal φ25×φ42×7
19	P202001527100000	Front Left Knuckle Assy.
20	P202001527200000	Front Right Knuckle Assy.
21	P102000825130000	Breaking Protect Shield I
22	PJ00000905200400	Cross Large Plate Head Screw M6×12

Rear Fork Part



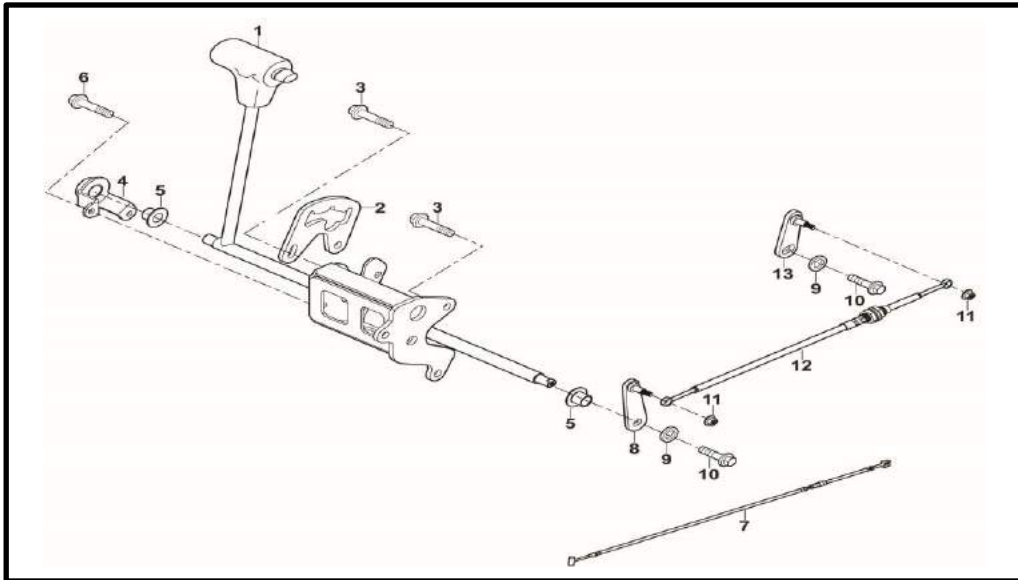
1	P202001532100000	Rear Fork
2	BGB7918-HK2220	Needle Bearing HK2220
3	PJ00000929005400	Bush $\phi 17 \times \phi 24 \times 175$
4	PJ00000929005100	Bush $\phi 16.5 \times \phi 22 \times 35$
5	P102000532300000	Rear Fork Dust Cap
6	PJ00000412090400	Rear Axle
7	BGB6187-M14x1.5	Hexagon Flange Locked Nut M14x1.5
8	P102000828090000	Chain Sheath I
9	BGB16674-M8x40	Hexagon Flange Bolt M8x40
10	BGB16674-M10x1.25x155	Hexagon Flange Bolt M10x1.25x155
11	BGB6187-M10x1.25	Hexagon Flange Locked Nut M10x1.25
12	BGB16674-M12x1.25x155	Hexagon Flange Bolt M12x1.25x155
13	BGB6187-M12x1.25	Hexagon Flange Locked Nut M12x1.25
14	P202001533120000	Chain Regulator
15	P202001515630000	Rear Protect Shield Mounting Plug
16	P201001828100000	Chain Sheath II
17	BGB16674-M6x12	Hexagon Flange Bolt M6x12
18	P102000825070000	Rear Bottom Plate
19	BGB16674-M8x25	Hexagon Flange Bolt M8x25
20	BGB6187-M8	Hexagon Flange Locked Nut M8
21	P202001532000000	Rear Suspension Assy
20	P202001527200000	Front Right Knuckle Assy.
21	P102000825130000	Breaking Protect Shield I

Rear Bridge Part



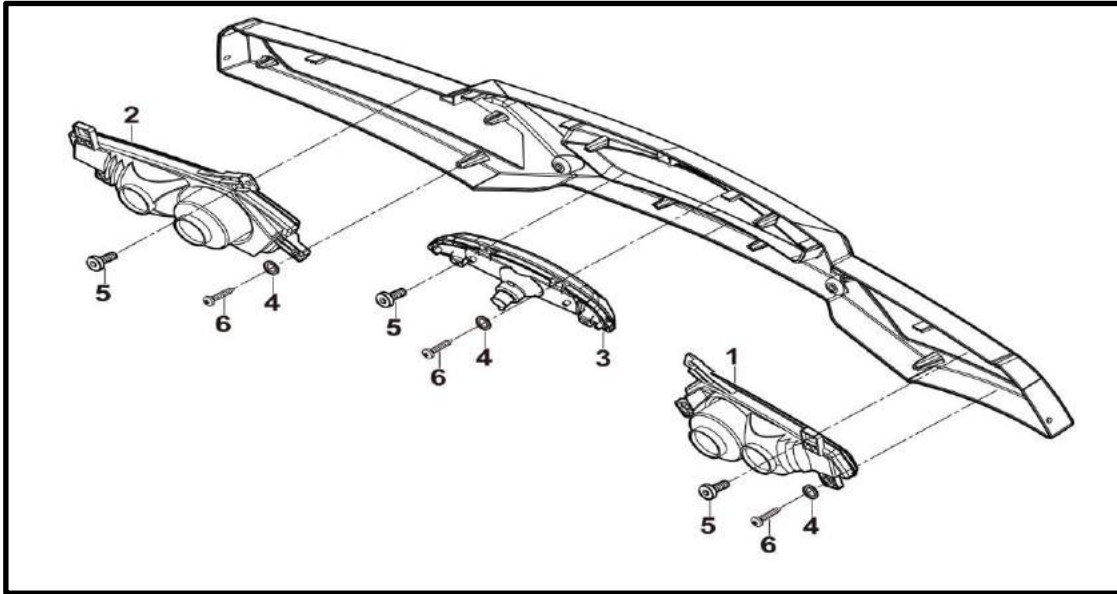
1	PJ00000411610800	Wanda Tire -At25×10-12
2	PJ0000041162200020	Rear Hub (Steel 107 Black)
	PJ00000411620200	Rear Hub (Alu 105 Original)
	PJ0000041162020020	Rear Hub (Alu 105 Black)
3	PJ00000410040700	Wheel Cap H
4	P1150004113A0000	Valve Core
5	PJ00000903450000	Nut M10×1.25
6	BGB91-3.2×50	Cotter Pin 3.2×50
7	BGB9459-M20×1.5	Hexagon Thin Slotted Nut M20×1.5
8	BGB93-20	Split Washer 20
9	PJ00000906051700	Plain Washer φ20×φ48×4
10	P202001462100000	Mounting Bracket ,Rear Hub
11	P102000533010000	Rear Axle
12	P102000533030000	Chain Wheel I
13	P102000533020000	Chain Wheel Mounting Seat
14	P102000533090000	Rear Flat Fork Fixed com.
15	P102000533060000	Break Plate Mounting Seat
16	P102000440160000	Rear Single Disc Brake Piece
17	P102000903060000	Locked Nut M31×1
18	P202001533000000	Rear Reducer Assy
19	P202001253100000	Drive Chain Assy I
20	BGB16674-M10×1.25×25	Hexagon Flange Bolt M10×1.25×25
21	BGB93-10	Spring Washer 10
22	BGB97.1-10	Plain Washer 10
23	BGB70.1-M8×20	Hexagon Socket Cap Screw M8×20
24	BGB93-8	Spring Washer 8
25	BGB97.1-8	Plain Washer 8

Gear Shift



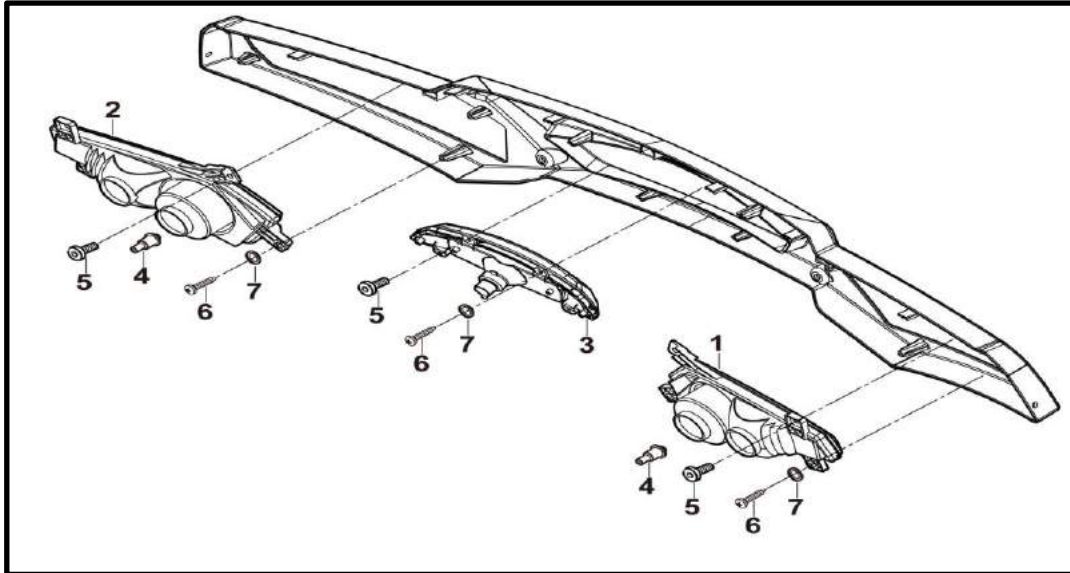
1	P202101234100000	Gear Shifter
2	P202001234900000	Shift Limiting Plate
3	BGB16674-M8x20	Hexagon Flange Bolt M8x20
4	P212001234800000	Gearshift Mounting Bracket I
5	PJ00000924500100	Flanging Bushing Ø12xØ15.5
6	BGB16674-M6x16	Hexagon Flange Bolt M6x16
7	PJ000006105A1300	Reverse Limit Cable P
8	P202001234700000	Gearshift Arm
9	BGB96.1-6	Plain Washer 6
10	BGB16674-M6x16	Hexagon Flange Bolt M6x16
11	BGB6187-M6	Hexagon Flange Locked Nut M6
12	PJ000002341A0800	Shift Cable I
13	P202001233230000	Shifting Arm

Tail Lamp



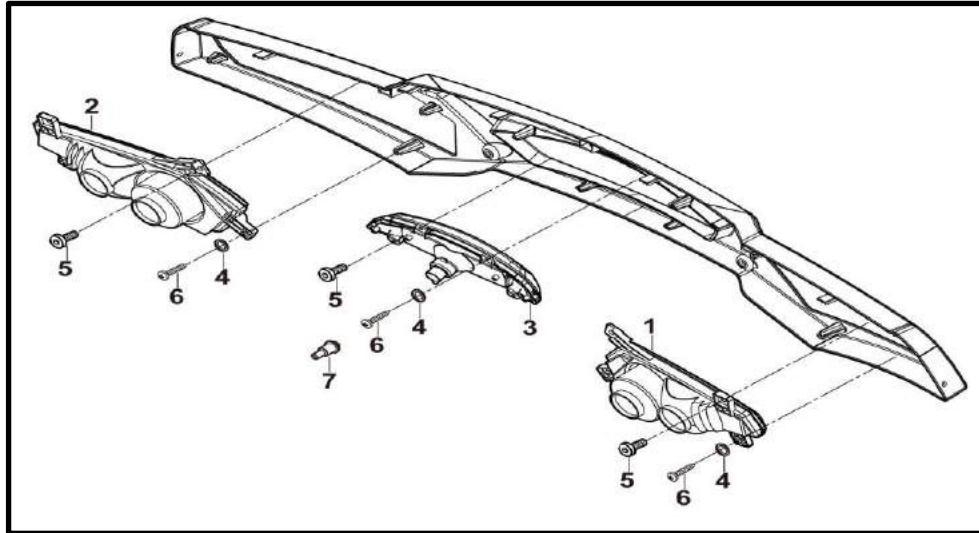
1	P301001353500001	Rear Position Light (L)
2	P301001353750001	Rear Position Light (R)
3	P208001826000000	Rear Shield
4	BGB97.1-5	Plain Washer 5
5	PJ00000905200400	Cross Big Plate Head Screw M6×12
6	BGB845-ST4.8×13	Cross Small Plate Head Self-Tapping Screw ST4.8×13

Tail Lamp



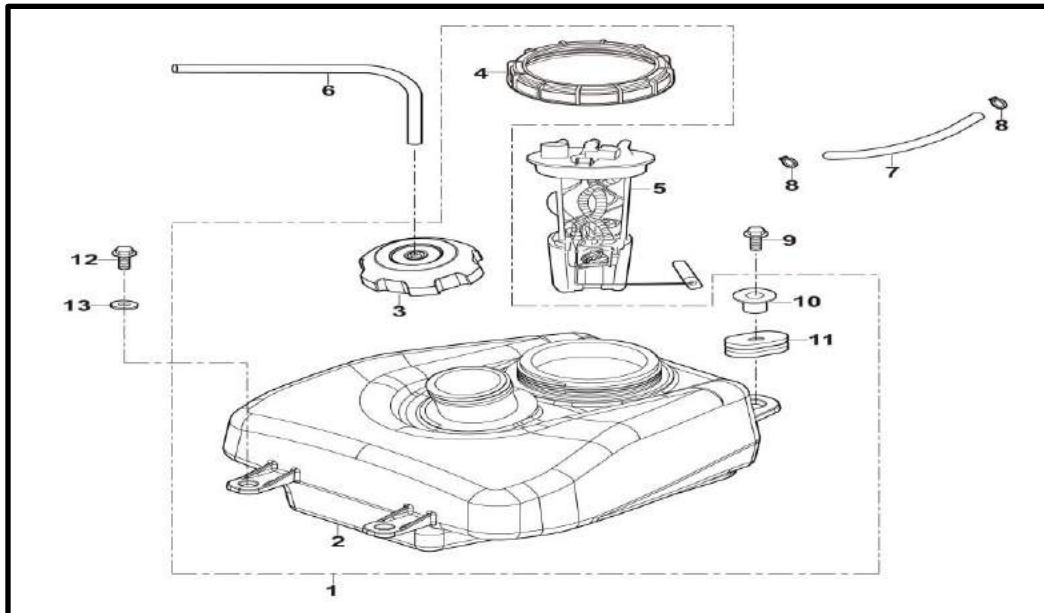
1	P301001353500000	Rear Position Light (L)
2	P301001353750000	Rear Position Light (R)
3	P208001826000000	Rear Shield
4	PJ00000384510000	Taillight Bulb 12V ; P21/5W
5	PJ00000905200400	Cross Big Plate Head Screw M6×12
6	BGB845-ST4.8×13	Cross Small Plate Head Self-Tapping Screw ST4.8×13
7	BGB97.1-5	Plain Washer 5

Tail Lamp



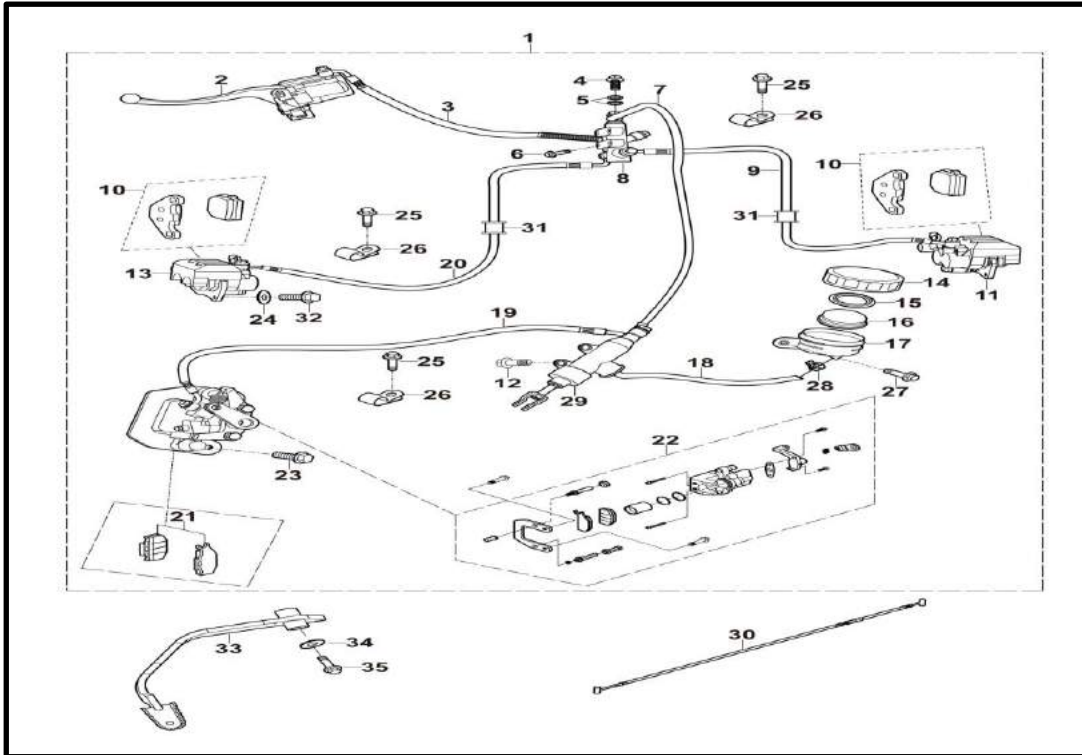
1	P201001354500000	Rear Turning Light (L)
2	P201001354750000	Rear Turning Light (R)
3	P118000353000000	Rear Position Light
4	BGB97.1-5	Plain Washer 5
5	PJ00000905200400	Cross Big Plate Head Screw M6×12
6	BGB845-ST4.8×13	Cross Small Plate Head Self-Tapping Screw ST4.8×13
7	PJ00000384410000	Bulb, 12V R10W

Fuel Tank Part



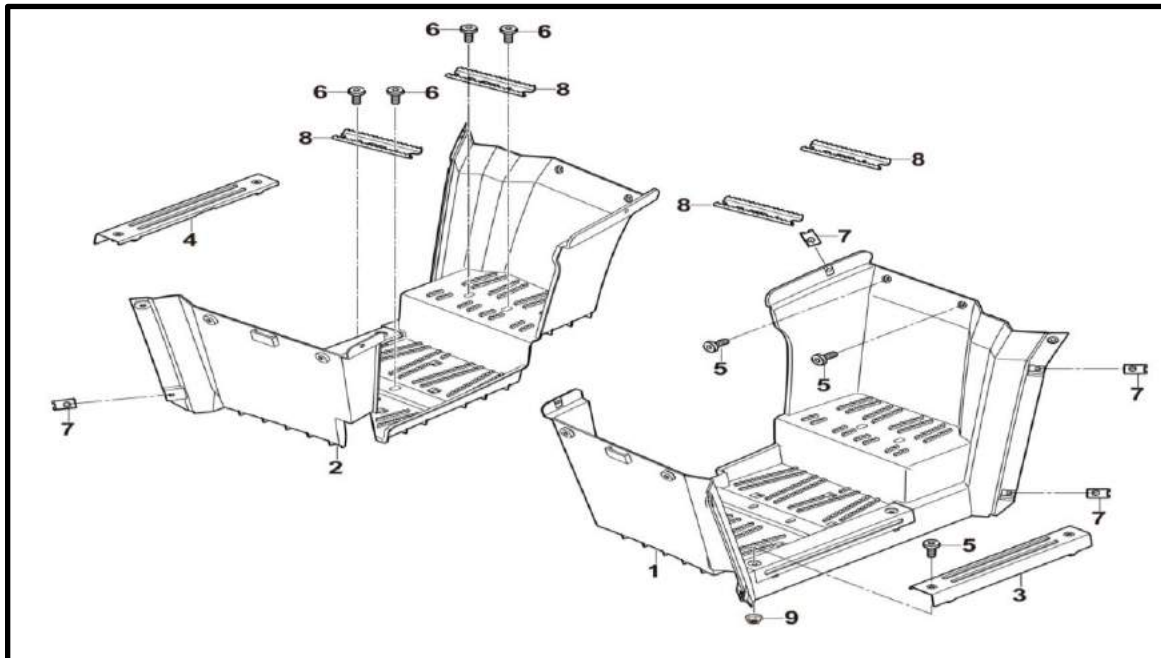
1	P202101811001000	Fuel Tank Assy
	P202101811000000	Fuel Tank Assy
2	P202101811101000	Fuel Tank Body
	P202101811100000	Fuel Tank Body
3	P107000181140000	Fuel Tank Cover
4	P107F00811530000	Oil Pump Cover
5	P301001395000000	Oil Pump
6	P107000165290000	Breather Pipe, Fuel Tank
7	P202101165110000	High Pressure Fuel Pipe II
8	PJ00000907200000	Clamp A
9	BGB16674-M6×25	Hexagon Flange Bolt M6×25
10	PJ00000929301900	Nylon Flanging Bush φ6.3×φ10×17
11	P2021018111570000	Fuel Tank Circular Rubber Gasket
12	BGB16674-M6×20	Hexagon Flange Bolt M6×20
13	BGB96.1-6	Plain Washer 6

Disc Brake Part



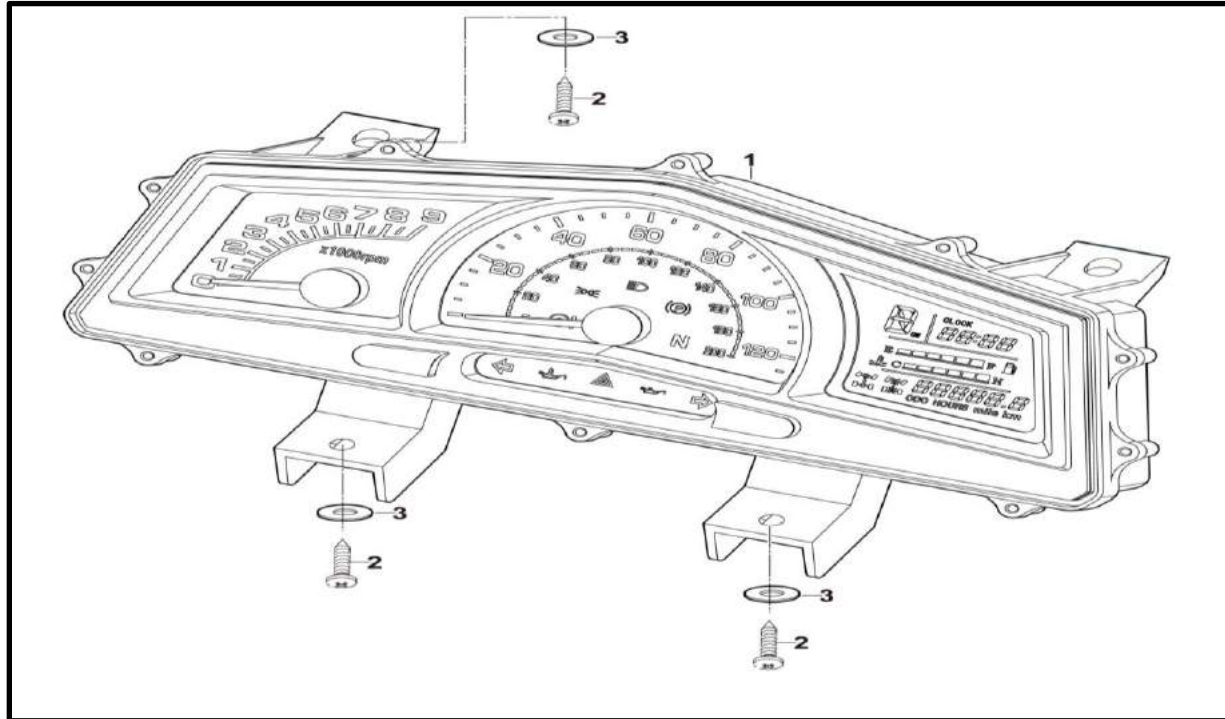
1	P202001445000000	Hydraulic Brake Assy III
2	P107000441700000	Front Disc Brake Pump
3	P202101441500000	Front Oil Pipe
4	P115000440010000	Oil Pipe Bolt i
5	P115000440020000	Gasket Oil Pipe
6	BGB16674-M6×25	Hexagon Flange Bolt M6×25
7	P202101441900000	Proportional Valve Connection Oil Pipe
8	P107000441600000	Proportional Valve
9	P202101441400000	Right Front Oil Pipe
10	P107000441120000	Front Brake Pad
11	P107000441200000	Front Brake Caliper(R)
12	BGB16674-M6×20	Hexagon Flange Bolt M6×20
13	P107000441100000	Front Brake Caliper(L)
14	P107000440030000	Disc Brake Oil Cup Cover
15	P107000440040000	Paper Gasket I, Oil Cup
16	P107000440050000	Paper Gasket Ii, Oil Cup
17	P107000440070000	Disc Brake Oil Cup
18	P202101440090000	Oil Pipe I
19	P202101442300000	Middle Pressure Pipe T-Cock
20	P202101441300000	Front Oil Pipe(L)
21	P115000443110000	Packing Brake Pad
22	P202101443100000	Parking Brake Assy
23	BGB16674-M8×16	Hexagon Flange Bolt M8×16
24	BGB93-8	Spring Washer 8
25	BGB16674-M6×12	Hexagon Flange Bolt M6×12
26	P115000444590000	Clip I Oil Pipe
27	BGB16674-M6×16	Hexagon Flange Bolt M6×16
28	PJ000009073000000	Locking Hoop A Screw
29	P103000441800000	Main Pump
30	PJ000004323A1800	Rear Brake Cable T
31	P115000444580000	Oil Pipe Rubber Sleeve
32	BGB16674-M8×16	Hexagon Flange Bolt M8×16
33	P2021014311A0000	Parking Pedal
34	BGB97.1-8	Plain Washer 8
35	BGB16674-M8×25	Hexagon Flange Bolt M8×25

Foot Pedal



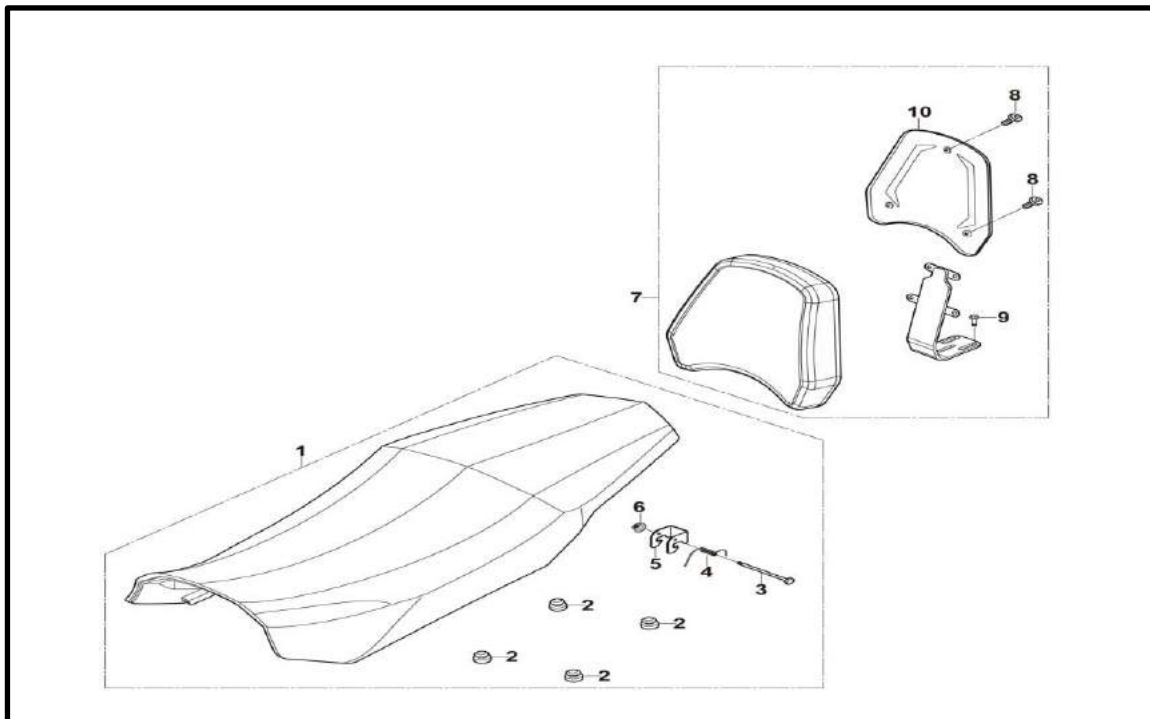
1	P202101824020000	Left Footrest
2	P202101824040000	Right Footrest
3	P202101515170000	Front Guard Board Decorative (L)
4	P202101515180000	Front Guard Board Decorative (R)
5	PJ00000902250100	Socket Hexagon Screw M6×16
6	PJ00000902250500	Socket Hexagon Screw M6×30
7	PJ00000903500300	Nut Holder M6×2
8	P118000515270000	Anti-Skidding Block Footrest
9	BGB6170-M6	Hexagon Nut M6

Meter



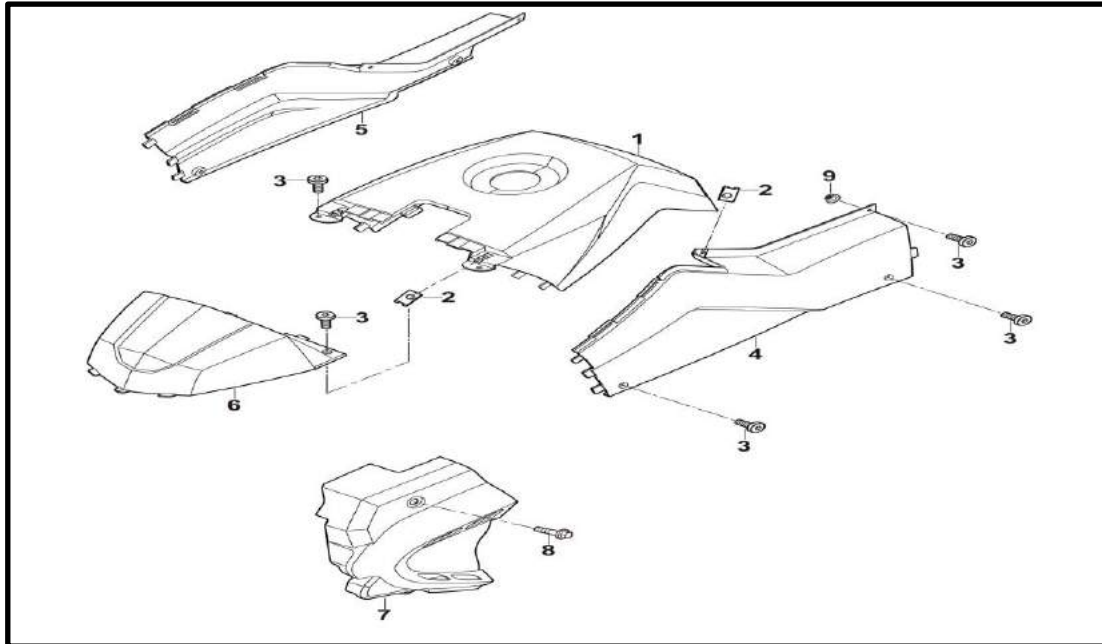
1	P202001361000000	Meter Assy
2	BGB845-ST4.8x13	Cross Small Plate Head Self-Tapping Screw ST4.8x13
3	BGB97.1-5	Plain Washer 5

Seat Cushion



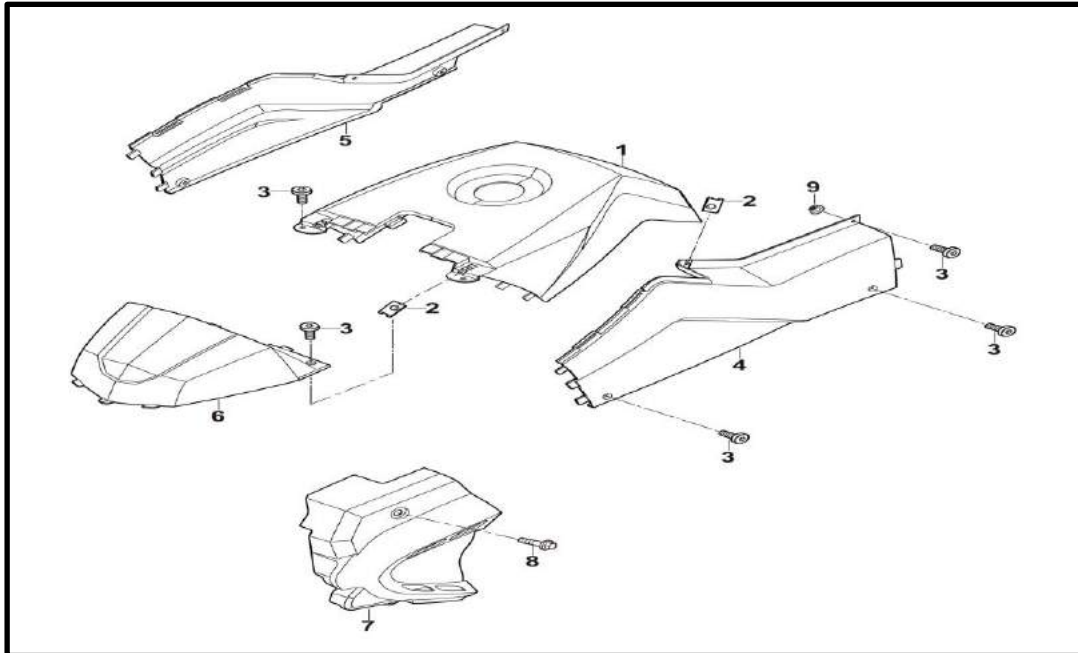
1	P202101711100000	Seat Cushion Comp. I
2	PJ00000931151200	Circular Plug Cushioning $\phi 10 \times 10$
3	BGB5783-M6 \times 120-BA	Hexagon Bolt M8 \times 120
4	PJ00000963001300	Torsional Spring N
5	P201001711130000	Front Seat Hook
6	BGB6184-M6-BA	All-Metal Self-Lock Nuts M6
7	P208001712100000	Backrest
8	PJ00000902250100	Socket Hexagon Screw M6 \times 16
9	BGB16674-M8 \times 20	Hexagon Flange Bolt M8 \times 20
10	P212001826030000	Decorative Cover I, Backrest

Fuel Tank Cover



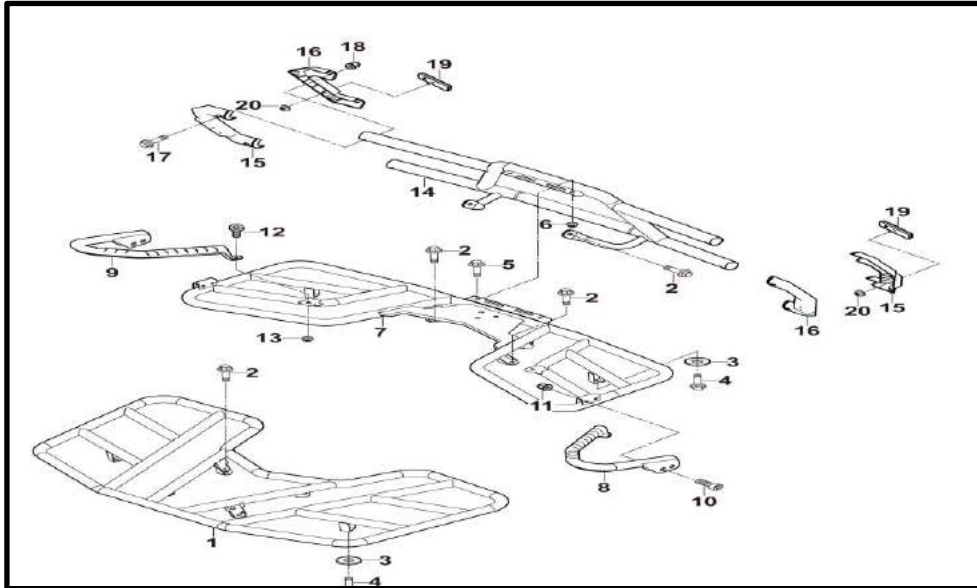
1	P20210182410000033	Fuel Tank Cover (Red)
	P20210182410000070	Fuel Tank Cover (Blue)
	P20210182410000012	Fuel Tank Cover (White)
	P20210182410000022	Fuel Tank Cover (Black)
	P20210182410000062	Fuel Tank Cover (Army Green)
	P20210182410000040	Fuel Tank Cover (Orange)
	P20210182410000031	Fuel Tank Cover (Dark Red)
	P20210182410000052	Fuel Tank Cover (Orange Yellow)
	P20210182410000092	Fuel Tank Cover (Green Camouflage)
	P20210182410000093	Fuel Tank Cover (Vista Camouflage)
	P20210182410000094	Fuel Tank Cover (G2 Camouflage)
	P20210182410000072	Fuel Tank Cover(Bahama Blue)
2	PJ00000903500300	Nut Holder M6×2
3	PJ00000902250100	Socket Hexagon Screw M6×16
4	P20210182408000033	Fuel Tank Left Cover (Red)
	P20210182408000070	Fuel Tank Left Cover (Blue)
	P20210182408000012	Fuel Tank Left Cover (White)
	P20210182408000022	Fuel Tank Left Cover (Black)
	P20210182408000062	Fuel Tank Left Cover (Army Green)
	P20210182408000040	Fuel Tank Left Cover (Orange)
	P20210182408000031	Fuel Tank Left Cover (Dark Red)
	P20210182408000052	Fuel Tank Left Cover (Orange Yellow)
	P20210182408000092	Fuel Tank Left Cover (Green Camouflage)
	P20210182408000093	Fuel Tank Left Cover (Vista Camouflage)
	P20210182408000094	Fuel Tank Left Cover (G2 Camouflage)
	P20210182408000072	Fuel Tank Left Cover(Bahama Blue)

Fuel Tank Cover



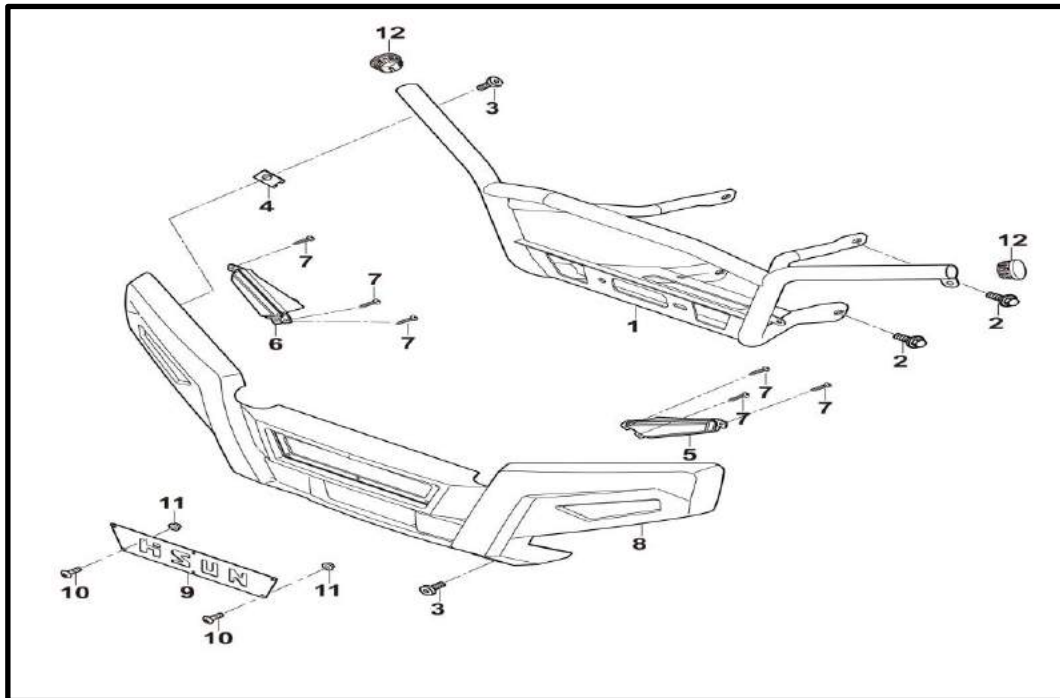
5	P20210182409000033	Fuel Tank Right Cover (Red)
	P20210182409000070	Fuel Tank Right Cover (Blue)
	P20210182409000012	Fuel Tank Right Cover (White)
	P20210182409000022	Fuel Tank Right Cover (Black)
	P20210182409000062	Fuel Tank Right Cover (Army Green)
	P20210182409000040	Fuel Tank Right Cover (Orange)
	P2021014311A0000	Parking Pedal
	BGB97.1-8	Plain Washer 8
	BGB16674-M8x25	Hexagon Flange Bolt M8x25
	P20210182409000031	Fuel Tank Right Cover (Dark Red)
	P20210182409000052	Fuel Tank Right Cover (Orange Yellow)
	P20210182409000092	Fuel Tank Right Cover (Green Camouflage)
	P20210182409000093	Fuel Tank Right Cover (Vista Camouflage)
	P20210182409000094	Fuel Tank Right Cover (G2 Camouflage)
P20210182409000072	Fuel Tank Right Cover (Bahama Blue)	
6	P202101823080000	Instrument Mounting Cover
7	P202001825190000	Decorative Cover I, Engine
8	BGB16674-M6x45	Hexagon Flange Bolt M6x45
9	BGB6177.1-M6	Hexagon Flange Nut M6

Rails



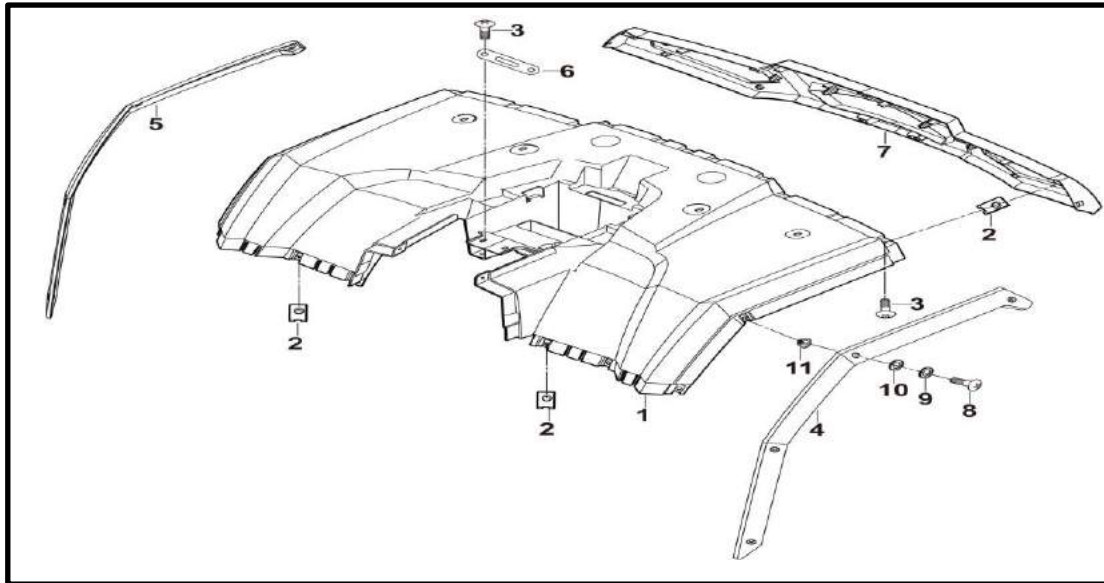
1	P202101513500000	Front Carrier
2	BGB16674-M8×20	Hexagon Flange Bolt M8×20
3	BGB97.1-6	Plain Washer 6
4	BGB16674-M6×16	Hexagon Flange Bolt M6×16
5	BGB16674-M8×16	Hexagon Flange Bolt M8×16
6	BGB6177-M8	Hexagon Flange Bolt M8
7	P202101514500000	Rear Carrier
8	P1180007221A0000	Armrest I
9	P1180007222A0000	Armrest II
10	BGB70.1-M8×35	Hexagon Socket Cap Screw M8×35
11	BGB923-M8×15	Cap Nut M8×15
12	PJ00000902260100	Socket Hexagon Screw M8×16
13	BGB6177.1-M8	Hexagon Flange Bolt M8
14	P202101514000000	Rear Bumper
15	P118000821040000	Rear Bumper Decorative Shield II
16	P118000821050000	Rear Bumper Decorative Shield I
17	BGB16674-M6×45	Hexagon Flange Bolt M6×45
18	PJ00000903460000	Cap Nut M6×14
19	P102000348100000	Rear Reflector
20	BGB6177.1-M5	Hexagon Flange Nut M5

Front Bumper



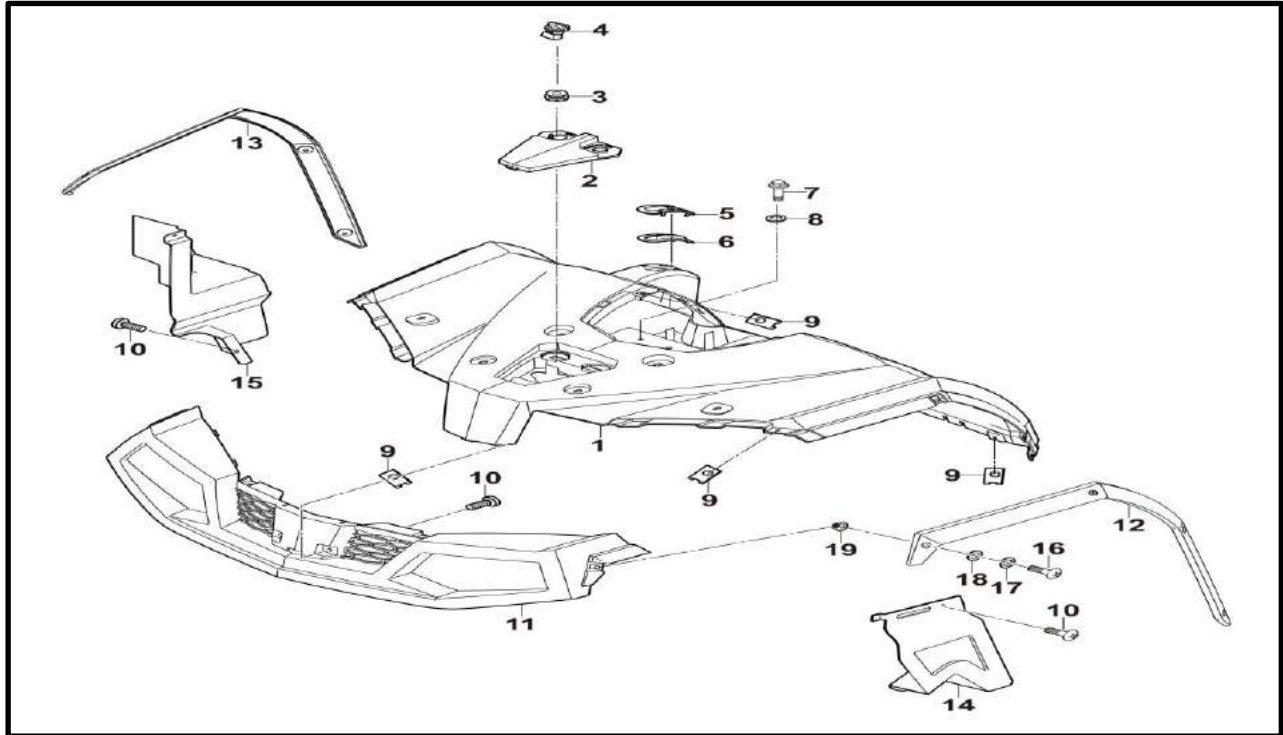
1	P202101513000000	Front Bumper
2	BGB16674-M8x20	Hexagon Flange Bolt M8x20
3	PJ00000902250100	Socket Hexagon Screw M6x16
4	PJ00000903500300	Nut Holder M6x2
5	P301001354000000	Front Turning Light (L)
6	P301001354250000	Front Turning Light (R)
7	BGB845-ST4.8x16	Cross Small Plate Head Self-Tapping Screw ST4.8x16
8	P202101821010000	Protective Cover Front Bumper
9	P202101515290000	Hs Logo
10	BGB9074.3-M4x12	Cross Large Plate Head Screw With Spring Washer M4x12
11	BGB6183.2-M4	Nonmetal Insert Hexagon Flange Nut M4
12	PJ00000924400000	Plastic Plug φ27

Rear Body



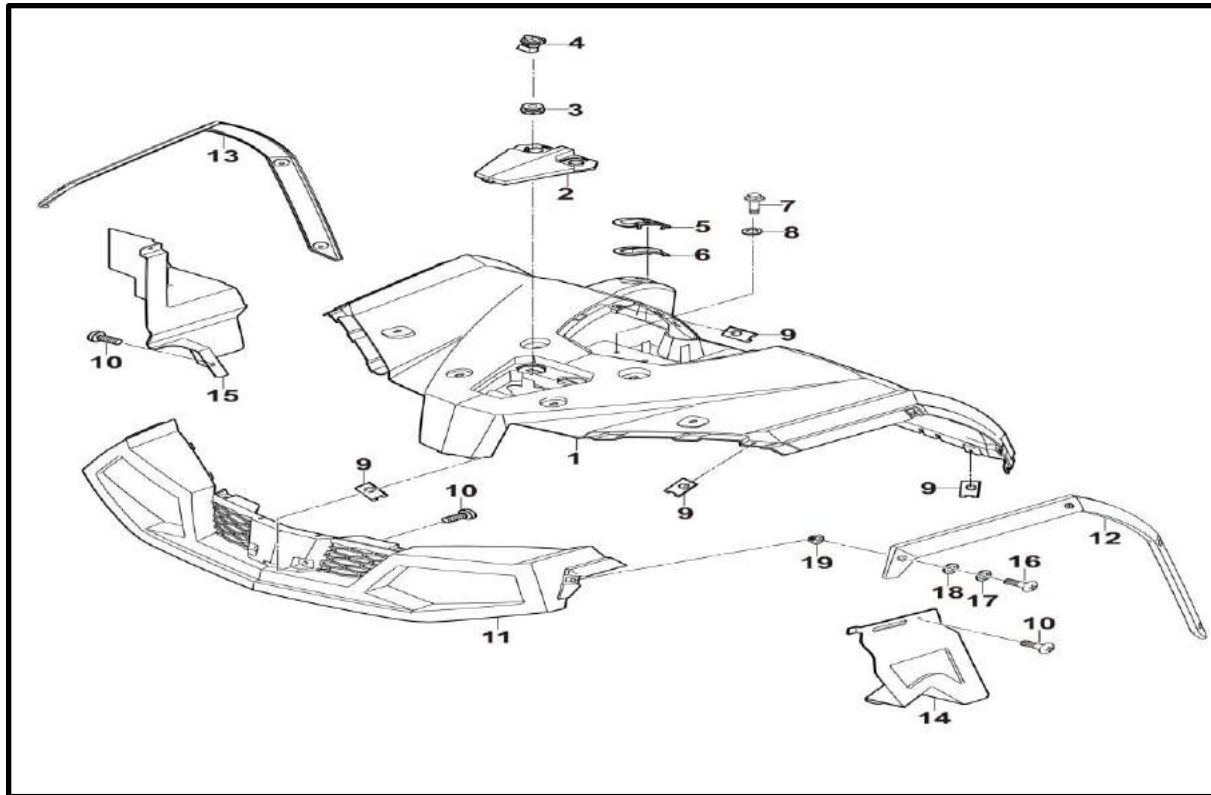
1	P20210182802000033	Rear Body Cover (Red)
	P20210182802000070	Rear Body Cover (Blue)
	P20210182802000012	Rear Body Cover (White)
	P20210182802000022	Rear Body Cover (Black)
	P20210182802000062	Rear Body Cover (Army Green)
	P20210182802000040	Rear Body Cover (Orange)
	P20210182802000031	Rear Body Cover (Dark Red)
	P20210182802000052	Rear Body Cover (Orange Yellow)
	P20210182802000092	Rear Body Cover (Green Camouflage)
	P20210182802000093	Rear Body Cover (Yellow Camo Vista Color)
	P20210182802000094	Rear Body Cover (G2 Camo Vista Color)
	P20210182802000072	Rear Body Cover (Bahama Blue)
2	PJ00000903500300	Nut Holder M6×2
3	PJ00000905200400	Cross Big Plate Head Screw M6×12
4	P202101828070000	Left Fender I Rear Cover
5	P202101828080000	Right Fender I Rear Cover
6	P314001271330000	Clip
7	P202101828010000	Taillight Mounting Cover
8	PJ00000905200500	Cross Large Plate Head Screw M6×16
9	BGB97.1-6	Plain Washer 6
10	PJ00000931100000	Rubber Plain Washer φ7×2.5
11	BGB6187-M6	Hexagon Flange Locked Nut M6

Front Body



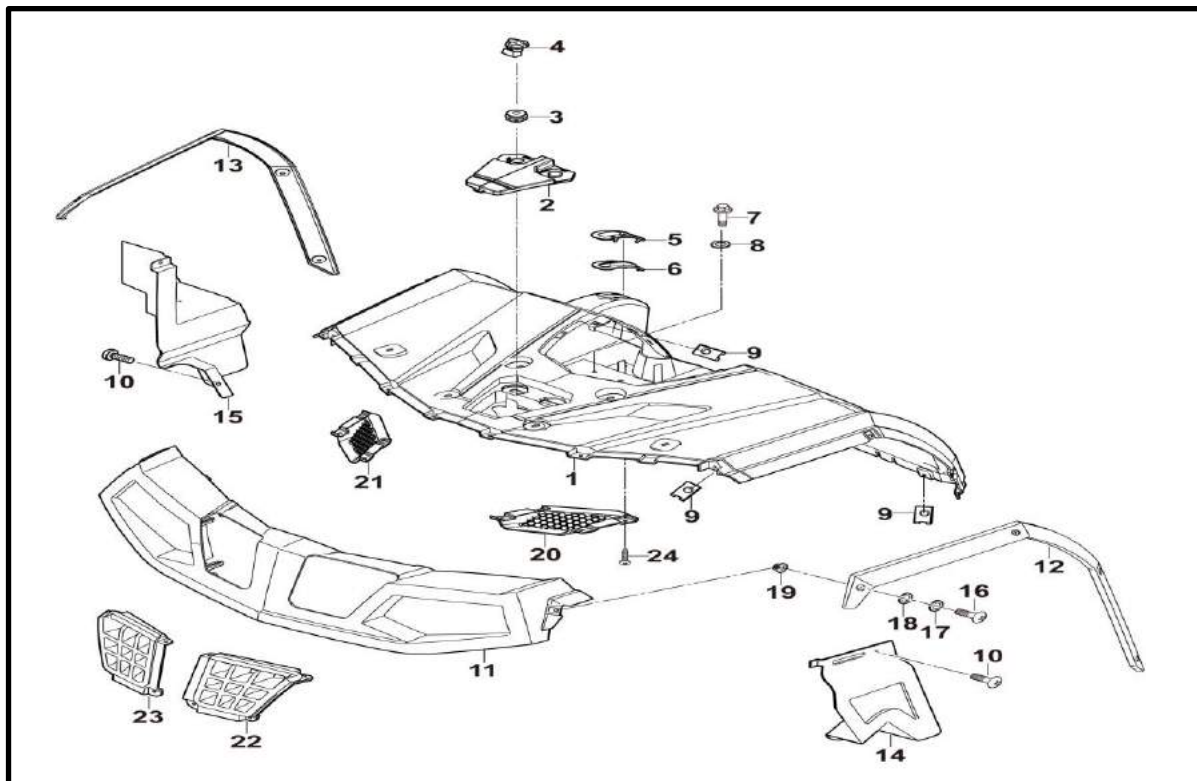
1	P20210182208000033	Front Body Cover (Red)
	P20210182208000070	Front Body Cover (Blue)
	P20210182208000012	Front Body Cover (White)
	P20210182208000022	Front Body Cover (Black)
	P20210182208000062	Front Body Cover (Army Green)
	P20210182208000040	Front Body Cover (Orange)
	P20210182208000031	Front Body Cover (Dark Red)
	P20210182208000052	Front Body Cover (Orange Yellow)
	P20210182208000092	Front Body Cover (Green Camouflage)
	P20210182208000093	Front Body Cover (Yellow Camo Vista Color)
	P20210182208000094	Front Body Cover (G2 Camo Vista Color)
	P20210182208000072	Front Body Cover (Bahama Blue)
	2	P20210182209000033
P20210182209000070		Cover of Front Panel (Blue)
P20210182209000012		Cover of Front Panel (White)
P20210182209000022		Cover of Front Panel (Black)
P20210182209000062		Cover of Front Panel (Army Green)
P20210182209000040		Cover of Front Panel (Orange)
P20210182209000031		Cover of Front Panel (Orange)
P20210182209000052		Cover of Front Panel (Orange Yellow)
P20210182209000092		Cover of Front Panel (Green Camouflage)
P20210182209000093		Cover of Front Panel (Yellow Camo Vista Color)
P20210182209000094		Cover of Front Panel (G2 Camo Vista Color)
P20210182209000072	Cover of Front Panel (Bahama Blue)	
3	PJ00000933500000	Rubber Ring Knob Switch
4	P311001822110000	Knob Switch
5	P212001515010000	Transmission Decorative Cover

Front Body



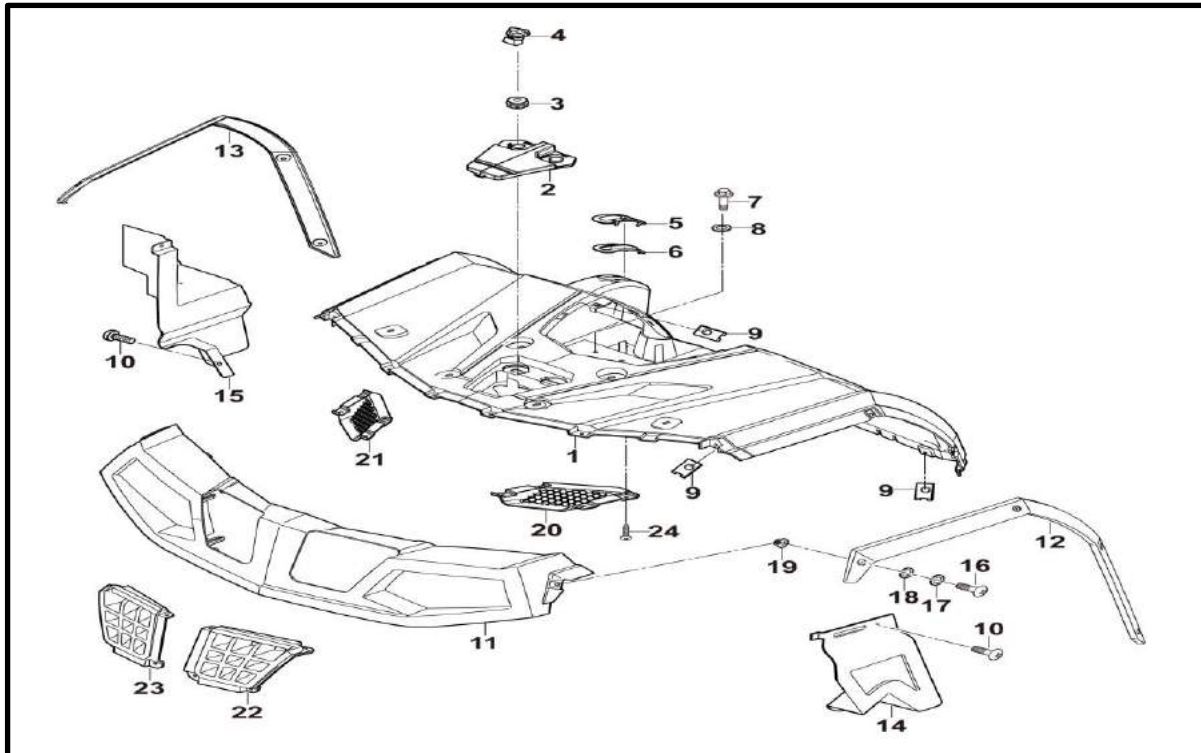
6	PJ00000932050200	Transmission Dust Cover C
7	BGB16674-M6×16	Hexagon Flange Bolt M6×16
8	BGB97.1-6	Plain Washer 6
9	PJ00000903500300	Nut Holder M6×2
10	PJ00000905200400	Cross Big Plate Head Screw M6×12
11	P202101822010000	Mounting Plate, Headlight
12	P202101822070000	Left Fender I, Front Cover
13	P202101822100000	Right Fender I, Front Cover
14	P202101825010000	Left Mud Guard I, Front cover
15	P202101825020000	Right Mud Guard I, Front cover
16	PJ00000905200500	Cross Large Plate Head Screw M6×16
17	BGB97.1-6	Plain Washer 6
18	PJ00000931100000	Rubber Plain Washer $\phi 7 \times 2.5$
19	BGB6187-M6	Hexagon Flange Locked Nut M6

Front Body



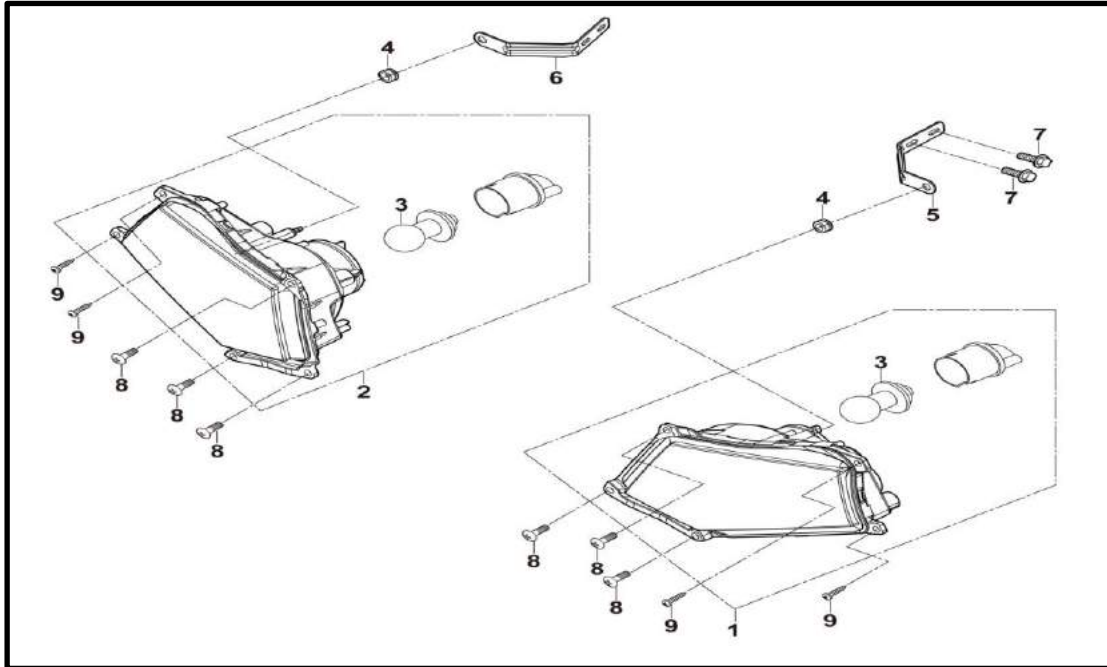
1	P20210382208000033	Front Body Cover (Red)
	P20210382208000070	Front Body Cover (Blue)
	P20210382208000012	Front Body Cover (White)
	P20210382208000022	Front Body Cover (Black)
	P20210382208000062	Front Body Cover (Army Green)
	P20210382208000040	Front Body Cover (Orange)
	P20210382208000031	Front Body Cover (Dark Red)
	P20210382208000052	Front Body Cover (Orange Yellow)
	P20210382208000092	Front Body Cover (Green Camouflage)
	P20210382208000093	Front Body Cover (Yellow Camo Vista Color)
	P20210382208000094	Front Body Cover (G2 Camo Vista Color)
	2	P20210382209000033
P20210382209000070		Cover of Front Panel (Blue)
P20210382209000012		Cover of Front Panel (White)
P20210382209000022		Cover of Front Panel (Black)
P20210382209000062		Cover of Front Panel (Army Green)
P20210382209000040		Cover of Front Panel (Orange)
P20210382209000031		Cover of Front Panel (Orange)
P20210382209000052		Cover of Front Panel (Orange Yellow)
P20210382209000092		Cover of Front Panel (Green Camouflage)
P20210382209000093		Cover of Front Panel (Yellow Camo Vista Color)
P20210382209000094		Cover of Front Panel (G2 Camo Vista Color)
3		PJ00000933500000
4	P311001822110000	Knob Switch
5	P212001515010000	Transmission Decorative Cover

Front Body



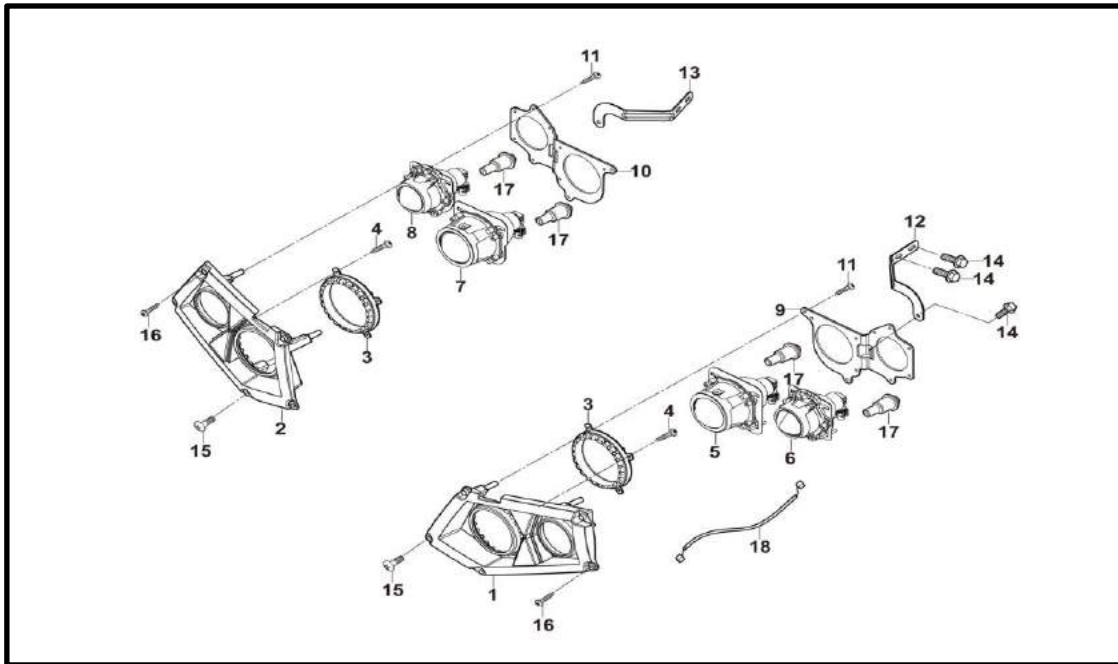
6	PJ00000932050200	Transmission Dust Cover C
7	BGB16674-M6×16	Hexagon Flange Bolt M6×16
8	BGB97.1-6	Plain Washer 6
9	PJ00000903500300	Nut Holder M6×2
10	PJ00000905200400	Cross Big Plate Head Screw M6×12
11	P202103822010000	Mounting Plate, Headlight
12	P202101822070000	Left Fender I, Front Cover
13	P202101822100000	Right Fender I, Front Cover
14	P202101825010000	Left Mud Guard I, Front cover
15	P202101825020000	Right Mud Guard I, Front cover
16	PJ00000905200500	Cross Large Plate Head Screw M6×16
17	BGB97.1-6	Plain Washer 6
18	PJ00000931100000	Rubber Plain Washer $\phi 7 \times 2.5$
19	BGB6187-M6	Hexagon Flange Locked Nut M6
20	P202103822400000	Left Grid
21	P202103822410000	Right Grid
22	P202103822040000	Left Ventilation Grid
23	P202103822060000	Right Ventilation Grid
24	BGB845-ST4.8×13	Cross Small Plate Head Self-Tapping Screw ST4.8×13

Head Lights



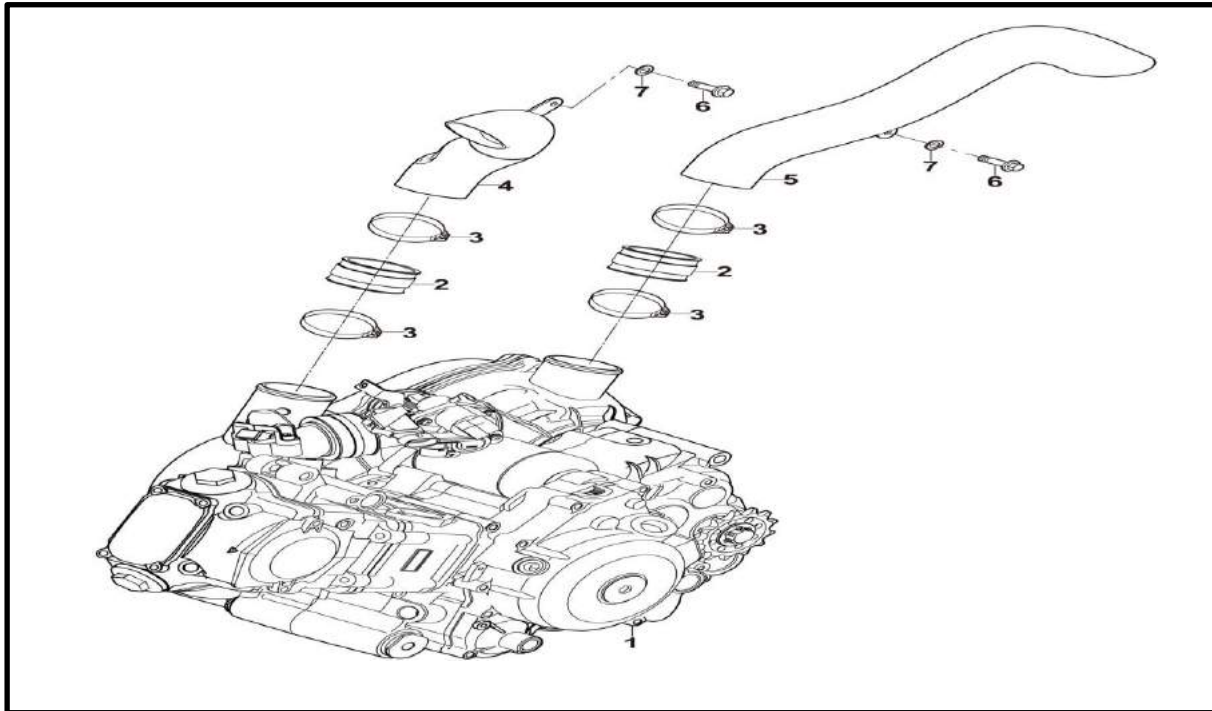
1	P311002351100000	Front Headlight Assy (L)
2	P311002351300000	Front Headlight Assy (R)
3	PJ00000384110000	Headlight Bulb: S2; 12V; 35W/35W
4	PJ00000931250000	Circular Plug Cushioning $\phi 9 \times 3$
5	P208002515030000	Mounting Bracket I ,Headlamp
6	P208002515040000	Mounting Bracket II ,Headlamp
7	BGB16674-M8×16	Hexagon Flange Bolt M8×16
8	PJ00000905200400	Cross Large Plate Head Screw M6×12
9	BGB845-ST4.8×13	Cross Small Plate Head Self-Tapping Screw ST4.8×13

Head Lights



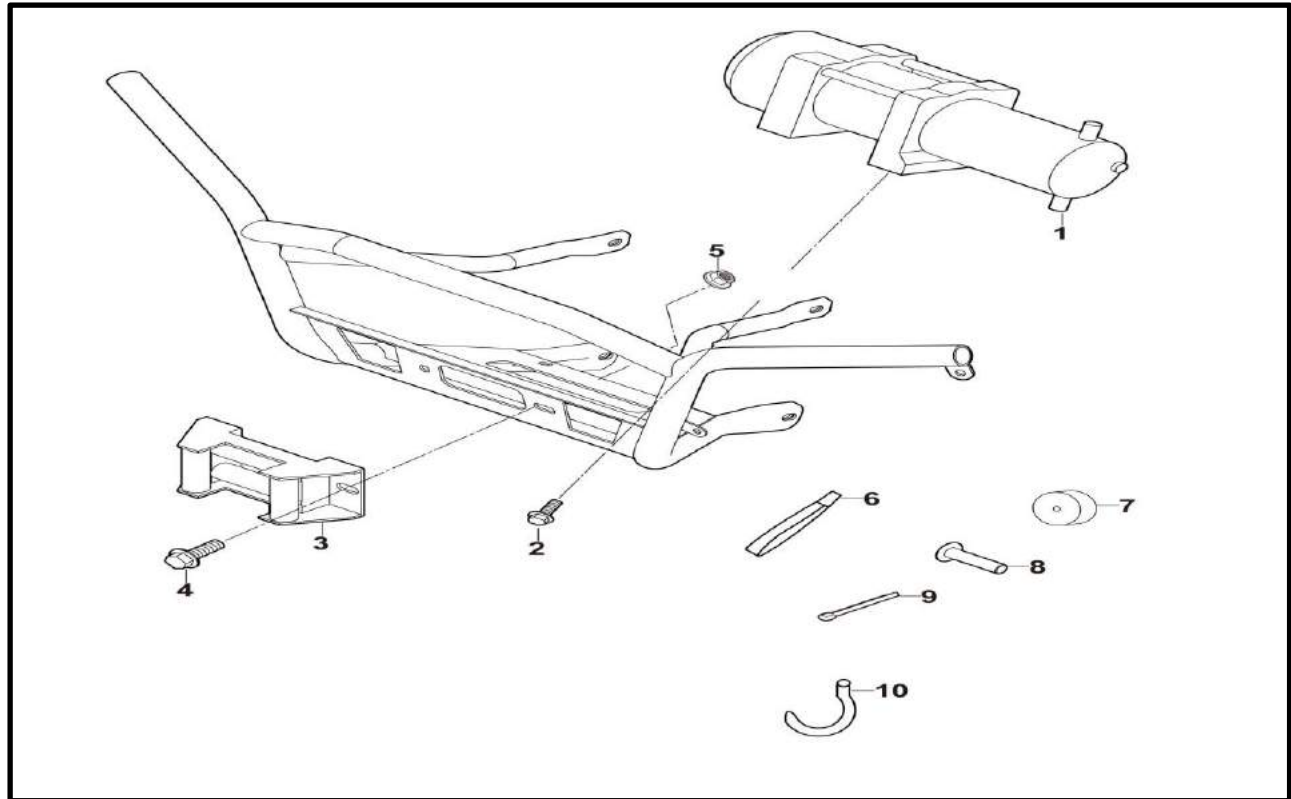
1	P311001822020000	Mounting Plate Left Lamps
2	P311001822030000	Mounting Plate Right Lamps
3	P311001355000000	Front Position Light
4	BGB845-ST4.8×13	Cross Small Plate Head Self-Tapping Screw ST4.8×13
5	P311001352100000	Dipped Headlight(L)
6	P311001351600000	Distance Headlight(L)
7	P311001352300000	Dipped Headlight(R)
8	P311001351800000	Distance Headlight(R)
9	P311001515520000	Front Headlamp Support Plate(L)
10	P311001515530000	Front Headlamp Support Plate(R)
11	BGB845-ST4.8×13	Cross Small Plate Head Self-Tapping Screw ST4.8×13
12	P208001515050000	Mounting Bracket III, Headlamp
13	P208001515060000	Mounting Bracket IV, Headlamp
14	BGB16674-M6×16	Hexagon Flange Bolt M6×16
15	PJ00000905200400	Cross Big Plate Head Screw M6×12
16	BGB845-ST4.8×13	Cross Small Plate Head Self-Tapping Screw ST4.8×13
17	PJ00000384140000	Headlight Bulb, H11 ; 12V ; 55W
18	P311001343500000	Cable, Headlamp

Clutch Pipes



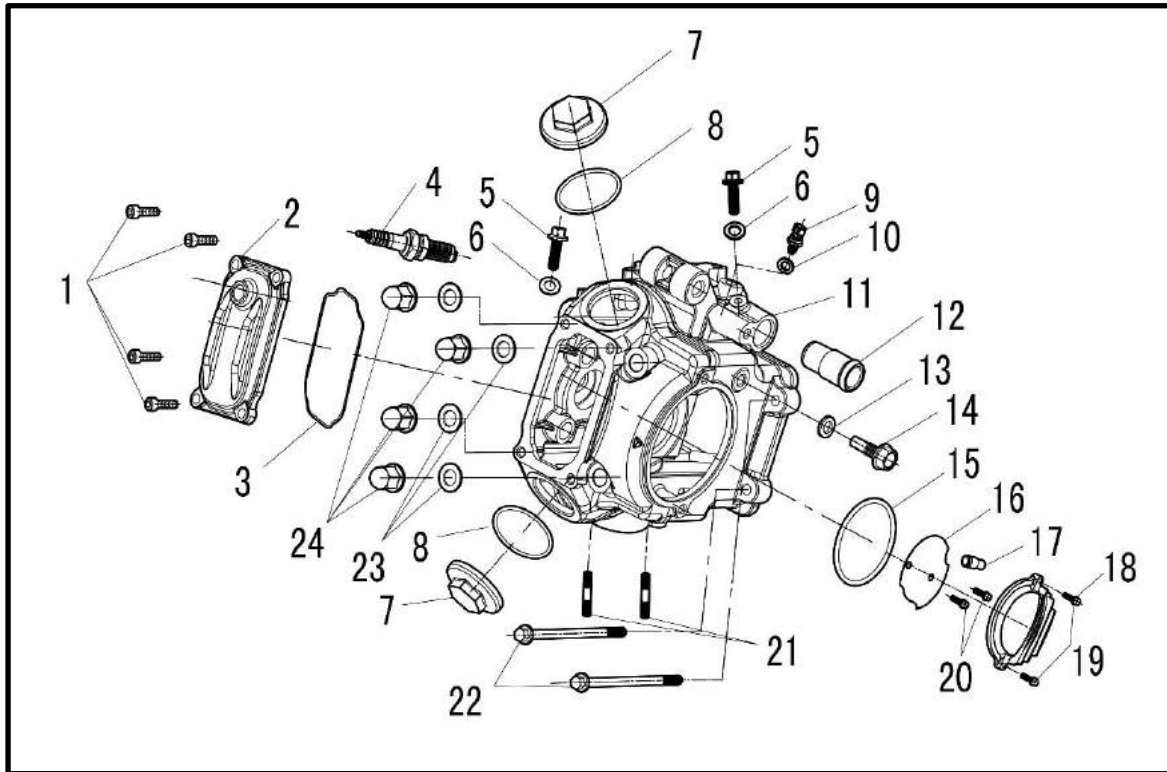
1	E003000100001100	Engine
2	P103000172210000	Inlet Pipe Connector I Clutch
3	PJ00000907300800	Locking Hoop I, Screw
4	P202001172190000	Inlet Pipe I, Clutch
5	P202001172160000	Outlet Pipe , Clutch
6	BGB16674-M6×16	Hexagon Flange Bolt M6×16
7	BGB96.1-6	Plain Washer 6

Winch



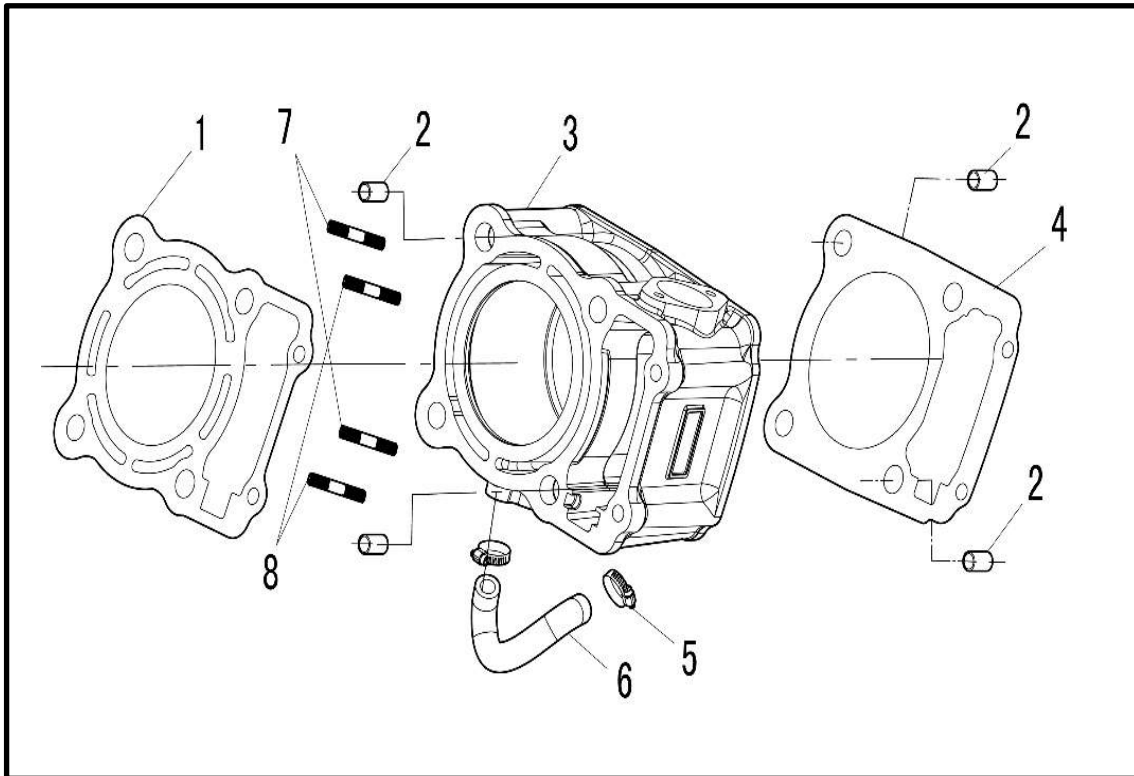
1	P115000899110100	Winch Body (3500)
2	BGB16674-M8×20	Hexagon Flange Bolt M8×20
3	P115000899020000	Guide Pulley, Winch
4	BGB16674-M10×1.25×20	Hexagon Flange Bolt M10×1.25×20
5	BGB6187-M10×1.25	Hexagon Flange Locked Nut M10×1.25
6	P115000899050000	Hand Tape
7	P115000899040000	Plastic Snap Ring
8	P115000899090000	Axis Pin Φ9.5×40
9	BGB91-2.5×30	Cotter Pin 2.5×30
10	P115000899010000	Hook

Cylinder Head



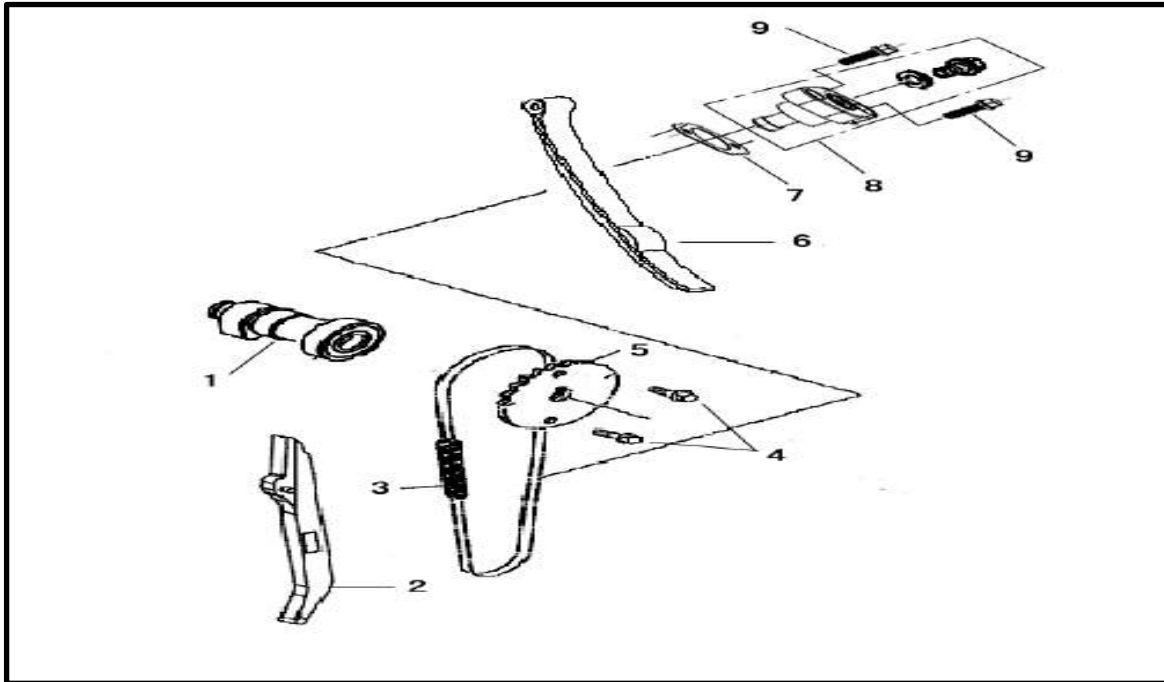
1	BGB70-M6×20	Hexagon Socket Head Cap Screws M6×20
2	P013000123110000	Cover Cylinder Head
3	PJ00000912017200	O-Ring 78×3
4	P002000333000000	Spark Plug NGK DR8EA
5	BGB5787-M6×12	Hexagon Flange Bolts M6×12
6	PJ00000906010100	Aluminum Washer 6×12×1.5
7	P013000123010000	Cover Intake Valve
8	PJ00000912014400	O-Ring 33.5×3
9	P013000391300000	Water Temperature Sensor
10	PJ00000906010600	Aluminum Washer 12.5×20×2
11	P0130001220A0000	Cylinder Head Assy
12	P013000122060000	Water Pipe joint Ø22
13	PJ00000906010300	Aluminum Washer 8×15×2
14	P013000145010000	Tension plate shaft bolts M8×32
15	PJ00000912017100	O-Ring 75×2.5
16	P013000123230000	Plate Maze cover
17	P010000227520000	Exhaust Pipe joint
18	P0130001232A0000	Cylinder Head Cover assy Left
19	BGB5787-M6×20	Hexagon Flange Bolts M6×20
20	BGB5783-M6×12	Hexagon Head Bolts M6×12
21	BGB901-M8×45-B	Stud M8×45(Sus)
22	BGB5789-M6×110	Hexagon flange bolts M6×110
23	PJ00000906020400	Copper Washer 10×18×2
24	PJ00000904030500	Cap Nut M10×1.25

Cylinder



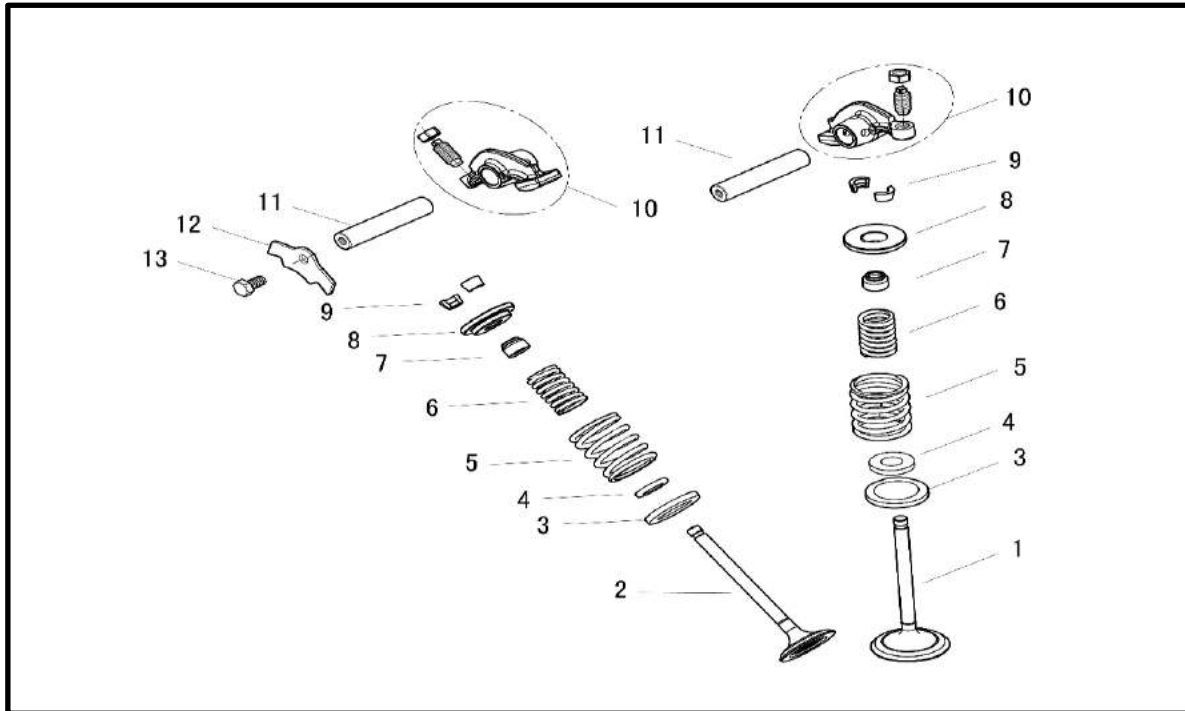
1	P0130001207A0000	Gasket Cylinder Head
2	PJ00000908020400	Pin Dowel 12×16
3	P0130001211A0000	Cylinder Body Assy
4	P013000120090000	Gasket Cylinder Base
5	PJ00000907300200	Hose Clamp Assy $\varnothing 16 \sim \varnothing 27$
6	P013000190080000	Hose Cylinder Water In
7	P013000110120000	Cylinder bolts M10×1.25×213
8	P013000110180000	Cylinder Stud M10×1.25×235

Camshaft Chain



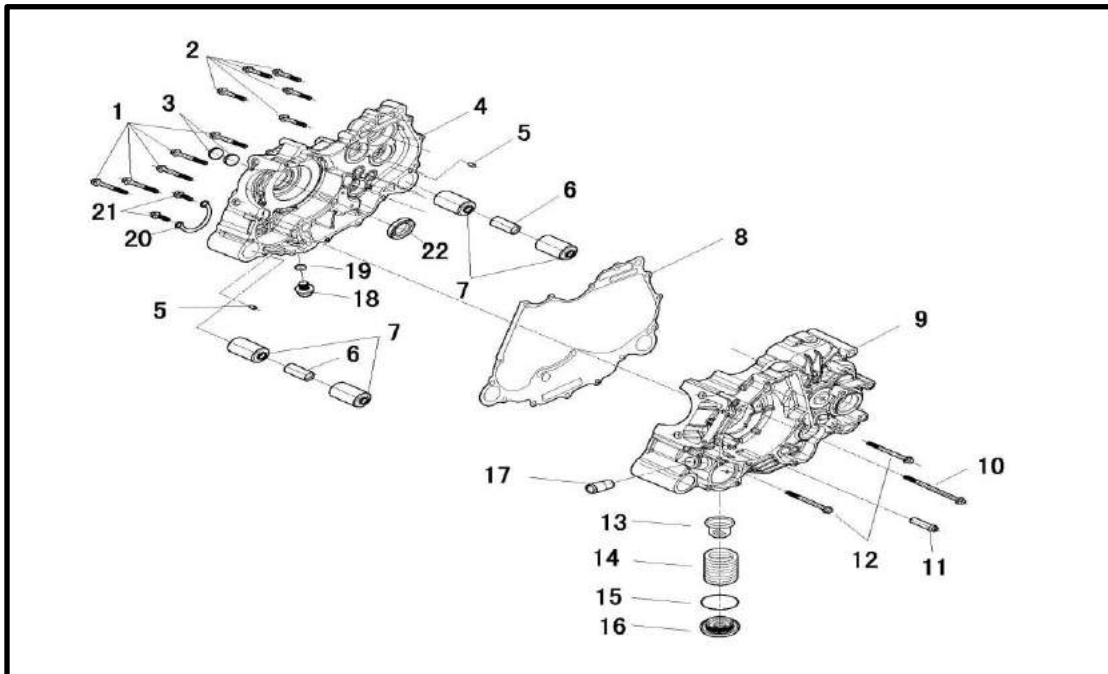
1	P013000141000000	Camshaft Assembly
2	P0130001452B0000	Timing Chain Guide
3	P013000143020000	Timing Chain M7-6.35-102
4	BGB5783-M6×12-F	Hexagon Head Bolts M6×12
5	P013000143040000	Timing Driven Sprocket
6	P0130001451B0000	Timing Chain Tensioner Guide
7	P013000145080000	Gasket Tensioner
8	P013000145300000	Tensioner Assy.
9	BGB5787-M6×16	Hexagon Flange Bolts M6×16

Valve Train



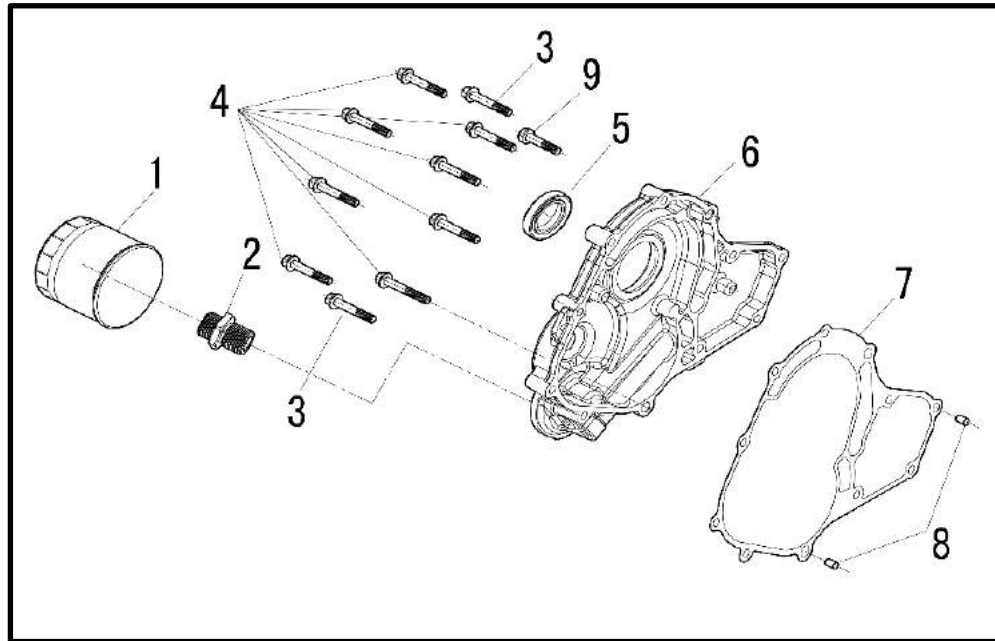
1	P013000147110000	Intake Valve
2	P013000147210000	Exhaust Valve
3	P013000147020100	Valve Spring Washer I
4	P013000147020200	Valve Spring Washer II
5	P013000147040000	Spring, Valve Outer
6	P013000147030000	Spring Valve Inner
7	P013000147050000	Valve Stem Seal
8	P013000147070000	Retainer Valve Spring
9	P013000147130000	Valve Lock Clamp
10	P0130001441A0000	Valve Rocker
11	P013000144030000	Valve Rocker shaft
12	P013000122020000	Press Plate Cam Shaft
13	BGB5783-M6×12-F	Hexagon Head Bolts M6×12-12.9

Crank Case



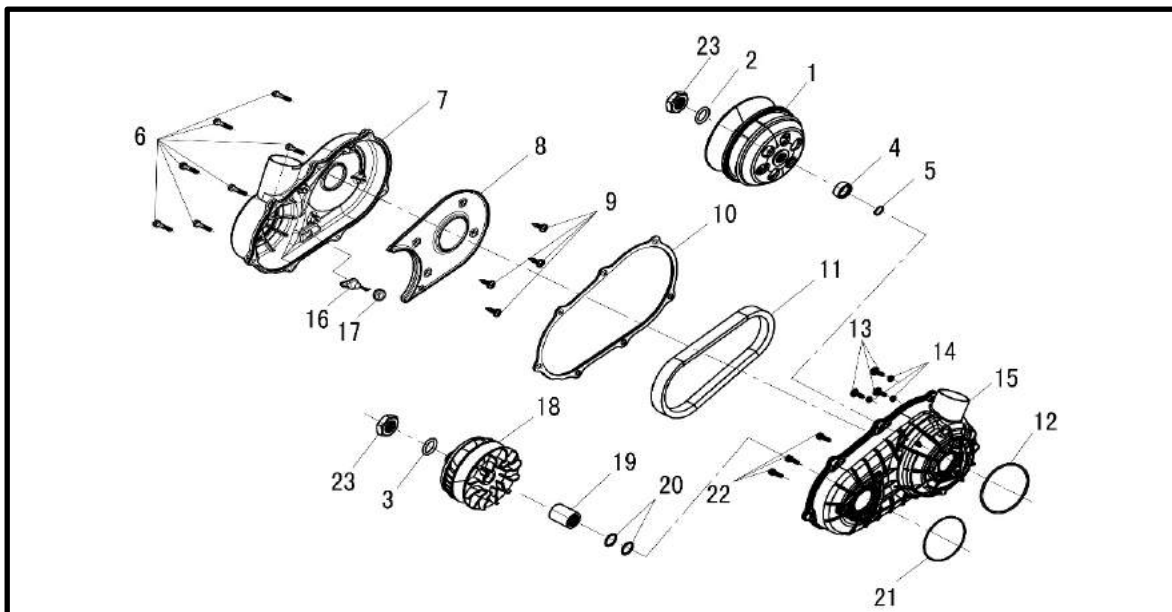
1	BGB5787-M6×55	Hexagon Flange Bolts M6×55
2	BGB5787-M6×35	Hexagon flange bolts M6×35
3	PJ00000911012400	Oil Seal 35×44×4
4	P0130001110A0000	Right Crankcase Assy
5	PJ00000908020100	Pin Dowel 8×12
6	P013000112010000	Bushing 10.5×19×38
7	P103000521200000	Vibration Damping Glue Set
8	P013000110190000	Gasket Crankcase
9	P0130001120A0000	Left Crankcase Assy
10	BGB5787-M6×100	Hexagon flange bolts M6×100
11	P010000227520000	Exhaust Pipe joint
12	BGB5787-M6×70	Hexagon flange bolts M6×70
13	P002000152030000	Oil Filter Strainer
14	P002000152040000	Filter Spring
15	PJ00000912014700	O-Ring 36×3.5
16	P002000111070000	Blind Nut Oil Drainage
17	P013000111060000	Water Pipe joint Ø18
18	PJ00000904050400	Hexagon Flange Screw Plug M14×1.5×16
19	PJ00000906010700	Aluminum Washer 14×20×1.5
20	P013000110140000	Press Plate Balance Shaft Bearing
21	BGB5787-M6×16	Hexagon Flange Bolts M6×16
22	BGB276-63/22	Bearing 63/22

Crankcase Cover



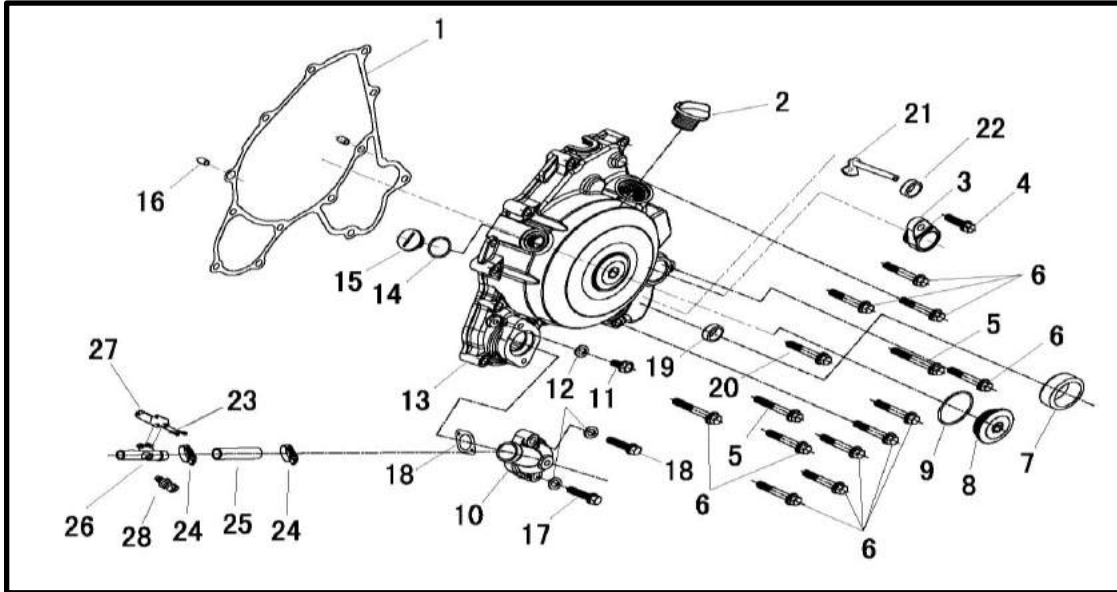
1	P003000152000000	Oil Filter
2	P003000152010000	Filter Adapter
3	BGB5787-M6x40	Hexagon Flange Bolts M6x40
4	BGB5787-M6x35	Hexagon flange bolts M6x35
5	PJ00000911013100	Oil Seal 32x47x7
6	P013000113110000	Right Crankcase Cover
7	P013000110170000	Gasket Right Crankcase Cover
8	PJ00000908020100	Pin Dowel 8x12
9	BGB70-M6x40	Hexagon Socket Head Cap Screws M6x40

Clutch



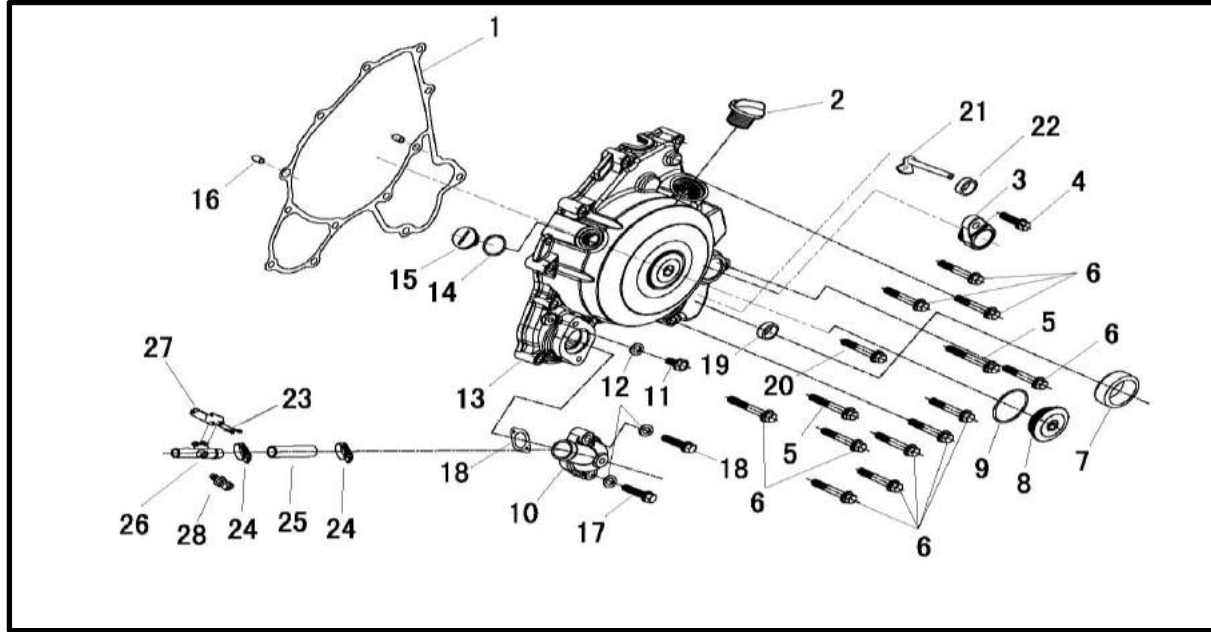
1	P013000212000200	Secondary Sheave Assy
	P013000212000201	Secondary Sheave Assy
2	PJ00000906007300	Washer 14.5×28×3
	PJ00000906000700	Washer 10×32×5
3	PJ00000906003200	Washer 16.5×28×4
4	P013000211060000	Secondary Cvt Bushing
	P013000214060001	Secondary Cvt Bushing
5	PJ00000912012900	O-Ring 20×2.5
6	BGB5789-M6×28	Hexagon flange bolts M6×30
7	P0130001152A0000	Cover Clutch Outer
8	P013000115220000	Clap Board
9	BGB846-ST4.2×16	Cross recessed countersunk head tapping screws ST4.2×16
10	P013000115230000	Seal Clutch Cover
11	P013000213000000	Cvt Belt
12	PJ00000912015500	O-Ring 50×4
13	BGB70.3-M6×20	Hexagon socket head screws M6×20
14	P013000115130000	Bushing Ø6.5×5
15	P0130001151A0000	Cover Clutch Inner
16	P003000115040000	Drain Plug Clutch Cover
17	P003000115030000	Damper
18	P013000211000000	Primary Sheave Assy.
19	P013000211050000	Primary CVT Bushing
20	PJ00000912013000	O-Ring 20.7×2.6
21	PJ00000912015300	O-Ring 45×2.5
22	BGB5787-M6×20	Hexagon Flange Bolts M6×20
23	PJ00000904021500	Nut M14×1
	BGB5783-M10×1.25×40	Hexagon Head Bolts M10×1.25×40

Left Crank Case Cover



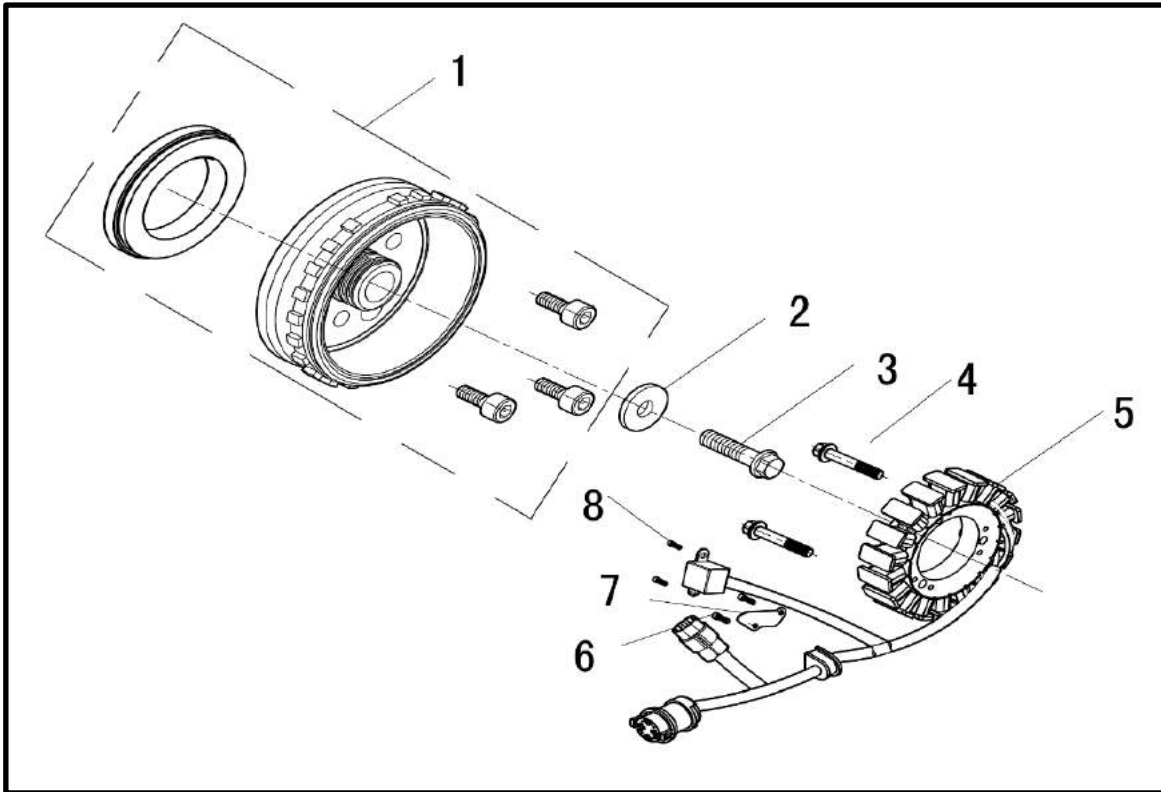
1	P013000114020000	Gasket Left Crankcase Cover
2	P001000156510000	Oil Screw Plug
3	P013000365500000	Sensor Gear Indicator
4	BGB5787-M6×16	Hexagon flange bolts M6×16
5	BGB5787-M6×40	Hexagon flange bolts M6×40
6	BGB5787-M6×35	Hexagon flange bolts M6×35
7	P013000911080000	Oil mirror
8	P010000110030000	Big Peep Hole Cover
9	PJ00000912013700	O-Ring 27.4×2.4
10	P012000190090100	Cover Thermostat II
11	BGB5787-M6×12	Hexagon flange bolts M6×12
12	PJ00000906010100	Aluminum Washer 6×12×1.5
13	P013000114010000	Left Crankcase Cover
14	PJ00000912011300	O-Ring 13×2.5

Left Crankcase Cover



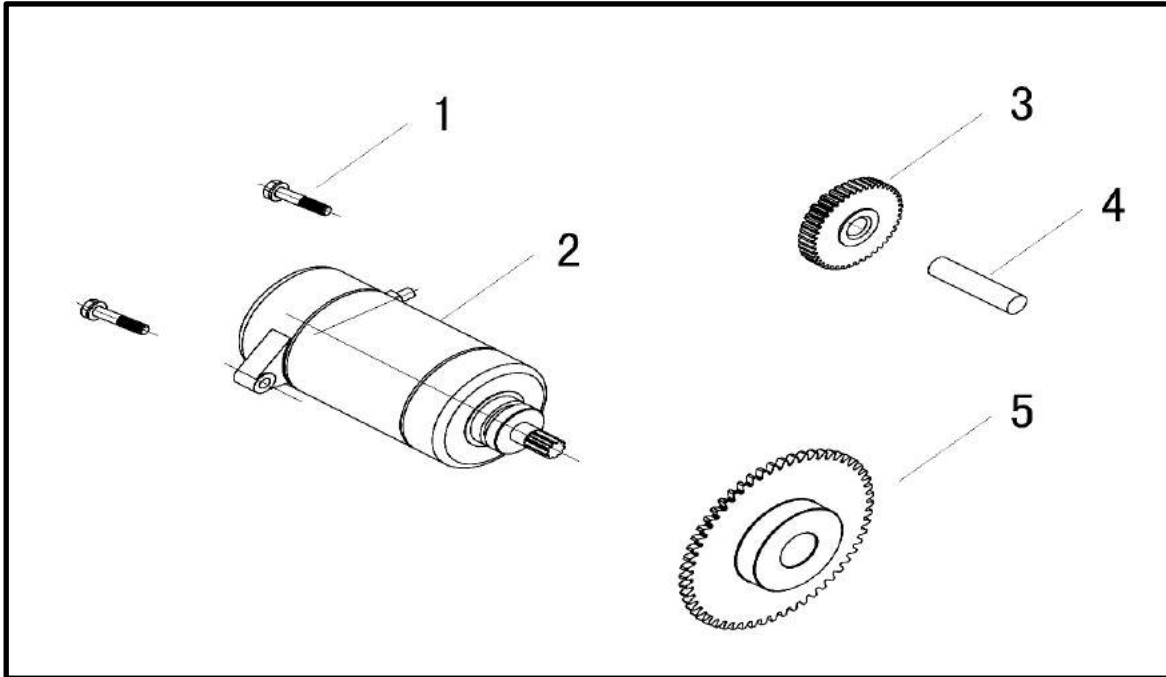
15	P003000110020000	Small Peep Hole Cover
16	PJ00000908020100	Pin Dowel 8×12
17	BGB5787-M6×25	Hexagon flange bolts M6×25
18	P013000197020000	Gasket water pump cover
19	PJ00000911013600	Oil Seal 14×22×5
20	BGB5787-M6×45	Hexagon flange bolts M6×45
21	P0130002332A0100	Shift shaft Assy
22	PJ00000911011000	Oil Seal 15×25×5
23	BGB5787-M6×12	Hexagon flange bolts M6×12
24	PJ00000907300200	Hose Clamp Assy Ø16~Ø27
25	P013000190010000	Water pump inlet pipe
26	P013000391310000	Water Temperature Sensor Mounting Seat
27	P013000391320000	Water Temperature Sensor Mounting Plate
28	P010000391300000	Water Temperature Sensor
29	P013000114040000	Press Plate oil mirror

Generator



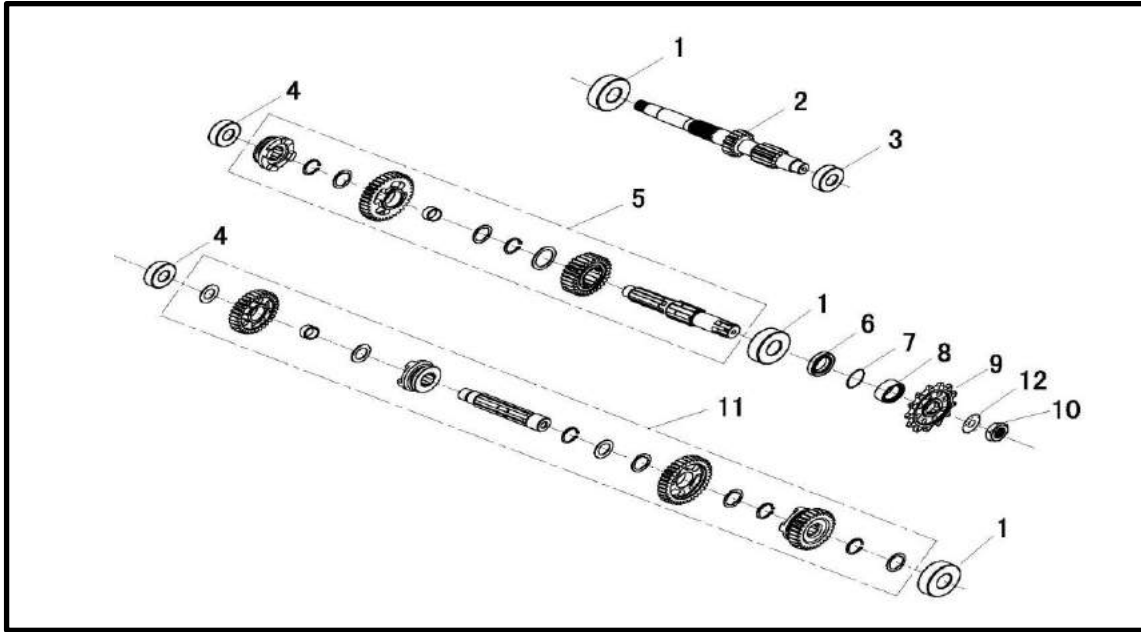
1	P013000311100000	Generator Rotor Assy
2	PJ00000906000200	Washer 10x28x2.5
3	P013000311050000	Generator Rotor Bolt M10x1.25x40
4	BGB5787-M6x30	Hexagon Flange Bolts M6x30
5	P013000311200000	Generator Stator Assy
6	BGB70-M5x12	Hexagon Socket Head Cap Screws M5x12
7	P013000110040000	Stator Wire Guard Plate
8	BGB70-M4x12	Hexagon socket head cap screws M4x12

Starter



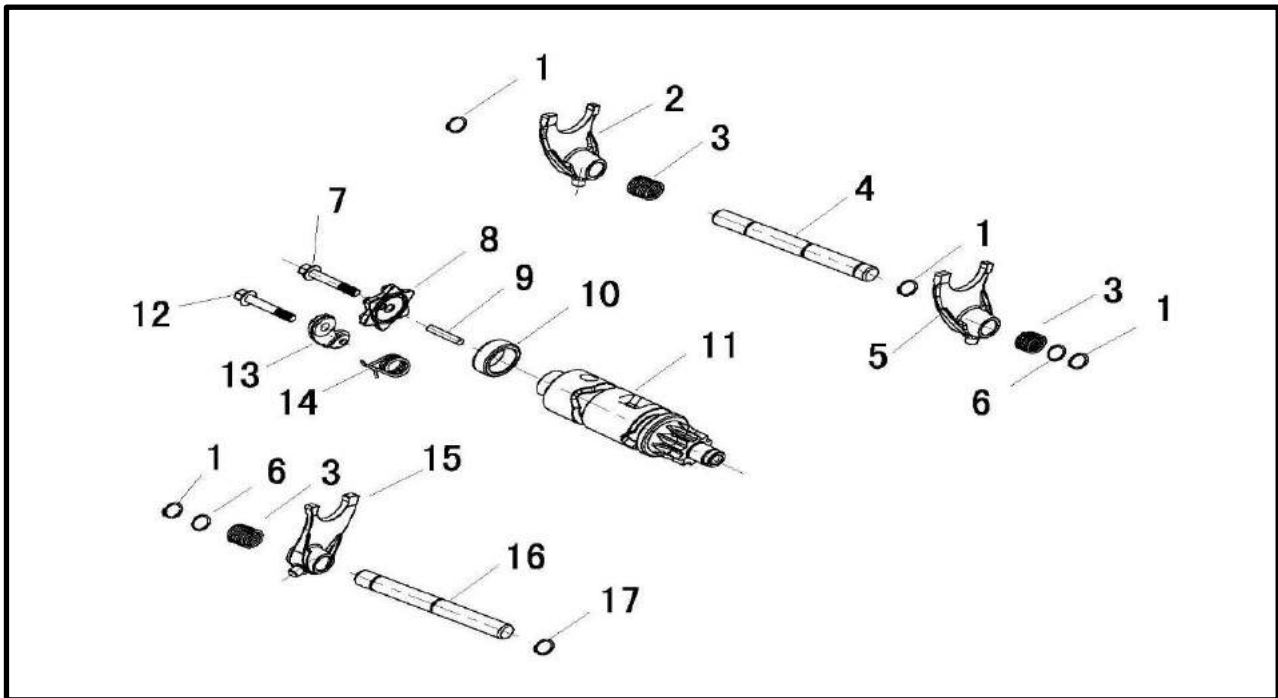
1	BGB5789-M6×28	Hexagon flange bolts M6×30
2	P013000312000000	Starter Motor Assy
3	P013000245030000	Starter Idler Gear
4	P013000245040000	Duplicate Gear Shaft Ø12×50
5	P0130002440A0000	Starter Disk Gear Assy

Main Shaft & Counter Shaft



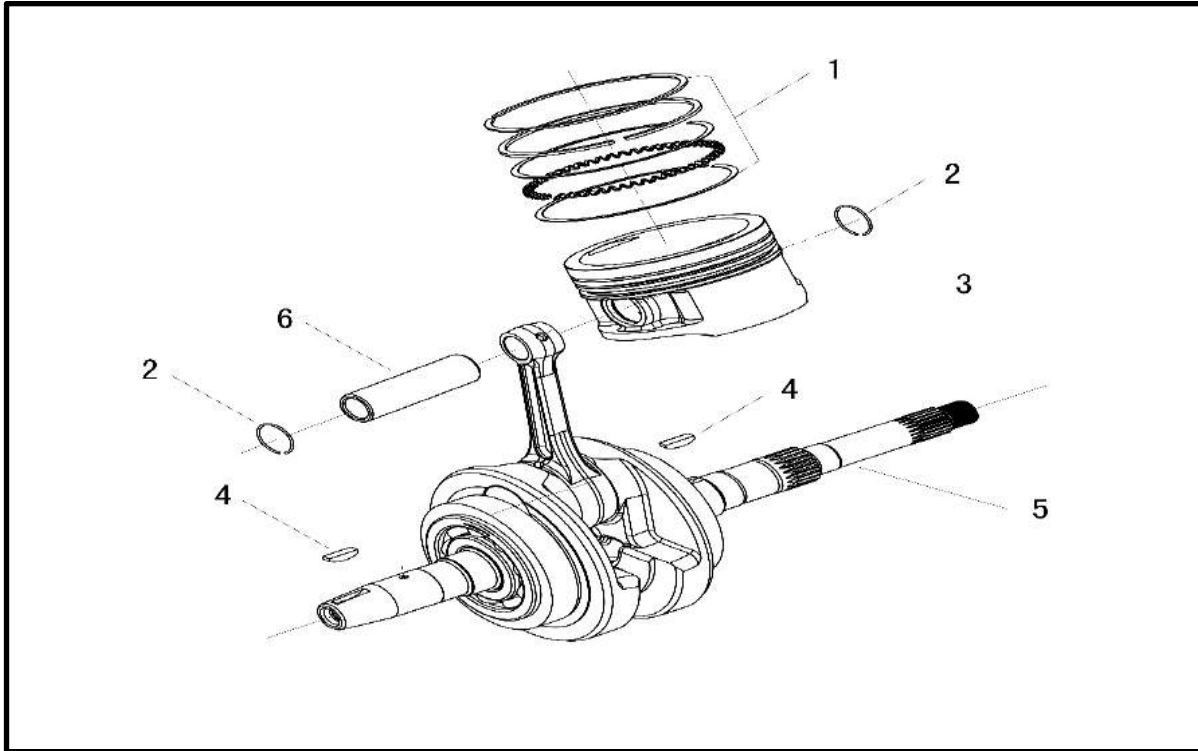
1	BGB276-6204-CY	Bearing 6204
2	P013000222010202	Transmission Main Shaft
3	BGB276-6202-CY	Bearing 6202
4	BGB276-6202Z-CY	Bearing 6202Z
5	P013000222900200	Output Shaft Assy
6	PJ00000911013400	Oil Seal 30×42×7
7	PJ00000912012900	O-Ring 20×2.5
8	P013000224050000	Sprocket Bushing
9	P013000224110000	Drive sprocket
10	PJ00000904040300	Nut M14×1
11	P013000222600202	Transmission Countershaft Assy
12	PJ00000906030800	Tab Washer for round nut

Shift Shaft Operation



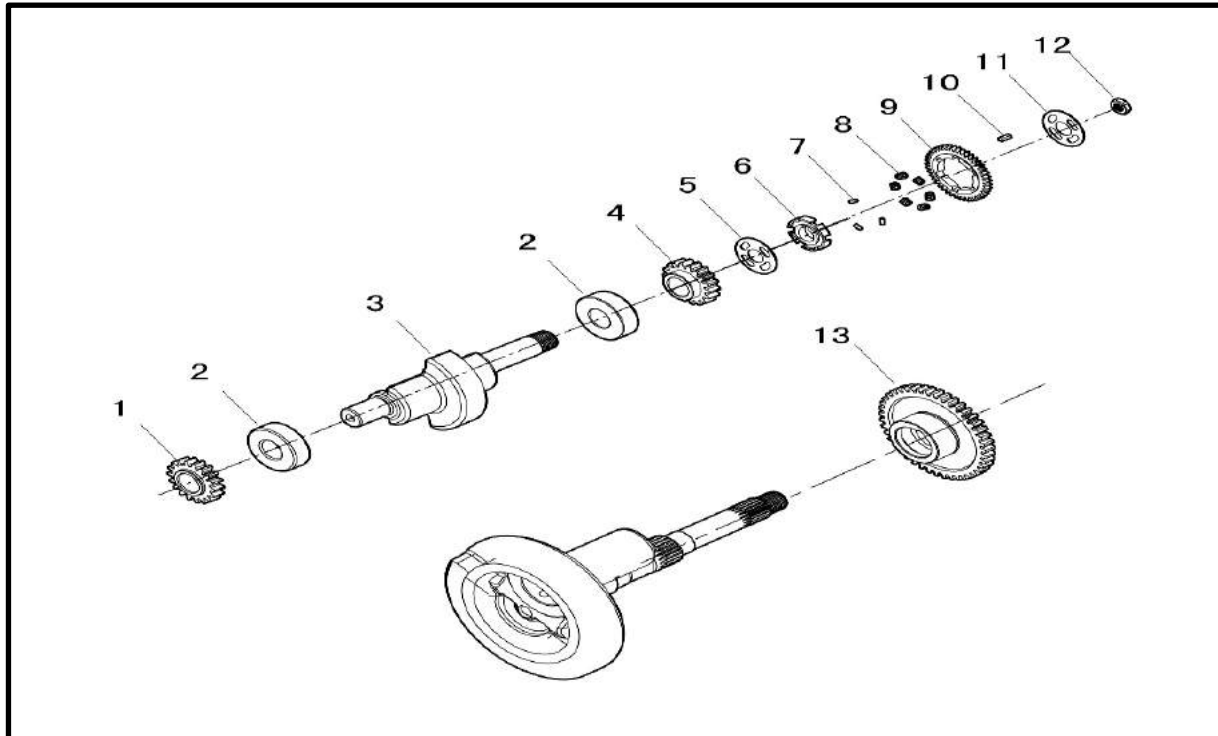
1	BGB894.1-12	Circlip For Shaft Ø12
2	P013000231020000	Shifting Fork II
3	P013000231050000	Spring HR gear
4	P013000231320000	Shift Rail II
5	P013000231010200	Shifting Fork I
6	PJ00000906004100	Washer 12.5×17×0.5
7	BGB5789-M6×25	Hexagon Flange Bolts M6×25
8	P013000232020000	Star Detent
9	PJ00000908010600	Pin Ø4×10
10	P002110937000000	Needle Bearing HK2110
11	P013000232010000	Drum Shift
12	BGB5789-M6×20	Hexagon Flange Bolts M6×20
13	P0130002322A0000	Shift Positioning Plate Assy
14	P013000232060000	Torsion Spring Locating Plate
15	P013000231030200	Shifting Fork III
16	P013000231310000	Shift Rail I
17	P013000131080000	Circlip Shift Rail

Crankshaft & Piston



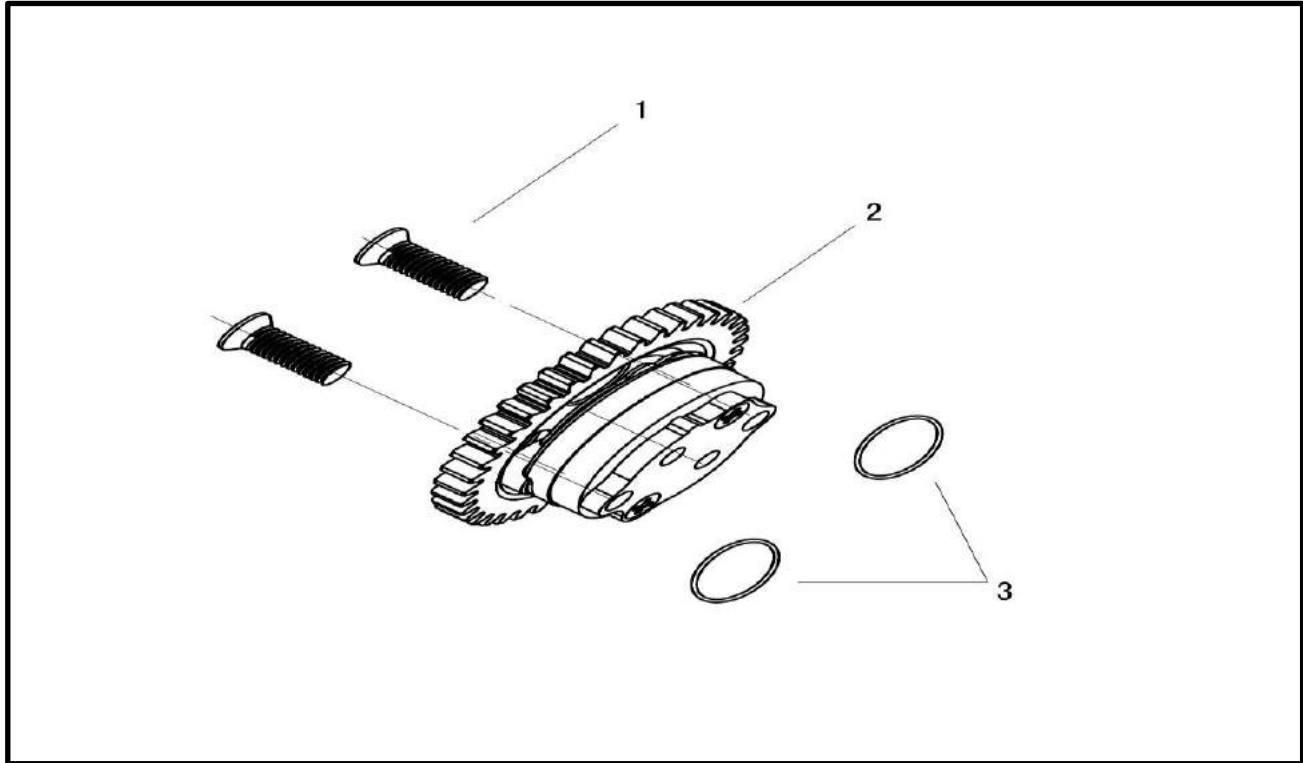
1	P0130001311A0000	Piston Ring Set
2	P013000131070000	Circlip Piston Pin
3	P013000131010000	Piston
4	P013000130010000	Key
5	P013000132000000	Crankshaft Assy
6	P013000131020000	Piston Pin

Balance Shaft



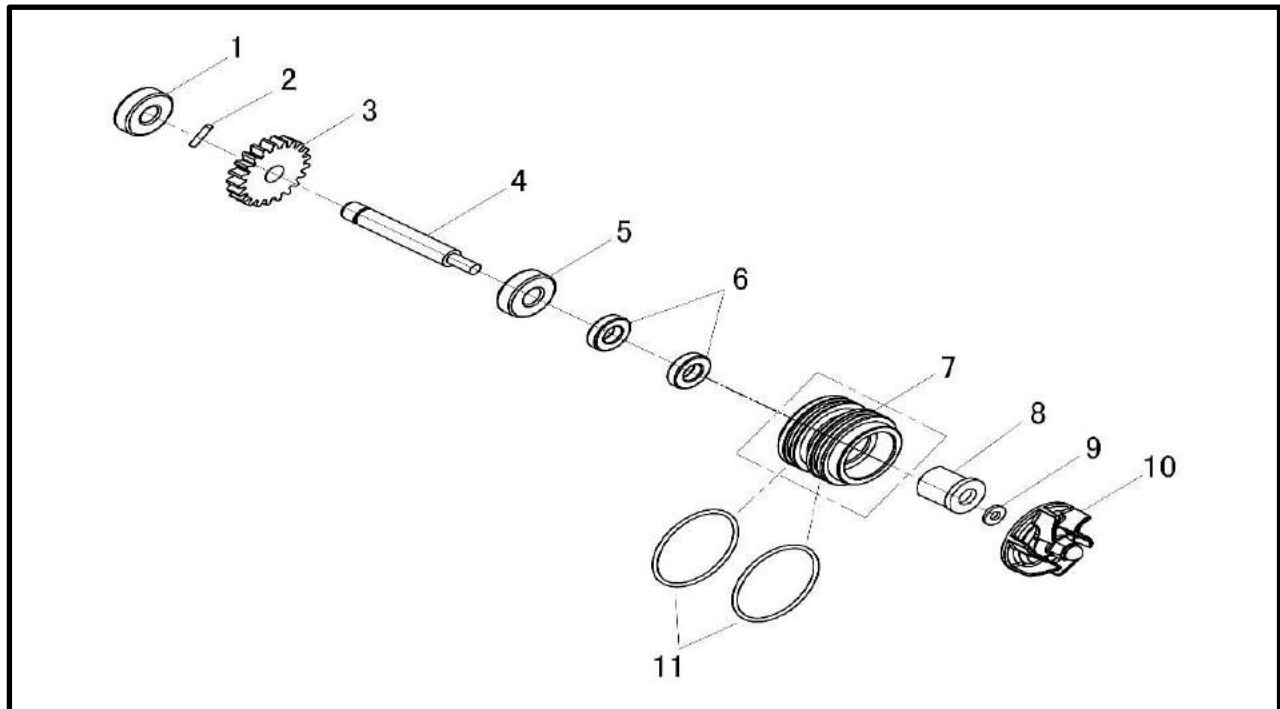
1	P013000197080000	Water Pump driving gear
2	BGB276-6004	Bearing 6004
3	P013000133110000	Balance Shaft
4	P013000150050000	Oil Pump Driving Gear
5	P013000133230000	Locating Plate Balance Gear Inner
6	P013000133210000	Balance driven gear base
7	P003000133260000	Spacer Pin Balance Gear
8	P003000133250000	Buffer Spring Balance Gear
9	P013000133310000	Balance driven gear
10	BGB1096-B5x8	Key B5x8
11	P013000133240000	Locating Plate Balance Gear Outer
12	PJ00000904021500	Nut M14x1
13	P013000133220000	Driving Gear Balance Shaft

Oil Pump



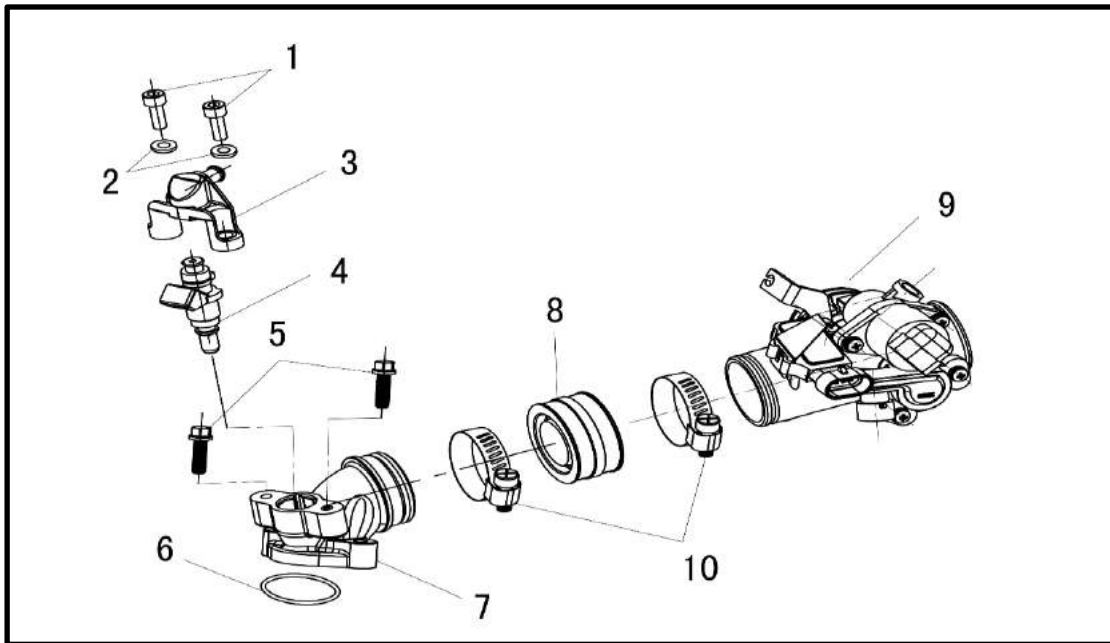
1	BGB819.1-M6×30	Cross recessed countersunk head screw M6×30
2	P013000151100000	Oil Pump Assy
3	PJ00000912010600	O-Ring 8.8×1.9

Water Pump



1	P001010937000000	Needle Bearing HK1010
2	PJ00000908010800	Pin Ø4×21
3	P013000197090000	Water pump driven gear
4	P013000197060000	Water pump Shaft
5	BGB276-6000	Bearing 6000
6	PJ00000911011900	Oil Seal 10×20×5
7	P013000197050000	Mechanical Seal Bearing Block
8	P0030001971A0000	Water Seal
9	PJ00000906003600	Washer 6×18×1
10	P003000197010000	Vane Water Pump
11	PJ00000912014800	O-Ring 38.5×2.5

Ducting Dampers



1	BGB70-M6×20	Hexagon Socket Head Cap Screws M6×20
2	PJ00000906003500	Washer 6×12×2
3	P010000164300000	Fuel injector fixed seat
4	P013000165300000	Fuel Injector (28334878)
5	BGB70-M6×25	Hexagon Socket Head Cap Screws M6×25
6	PJ00000912013800	O-Ring 29.6×2.4
7	P0130001241A0000	Intake-tube Assy
8	P013000124010000	Intake-Tube Joint
9	P013000164000200	Throttle Body Assy (D34)
10	PJ00000907300700	Hose Clamp Assy Ø40~Ø60